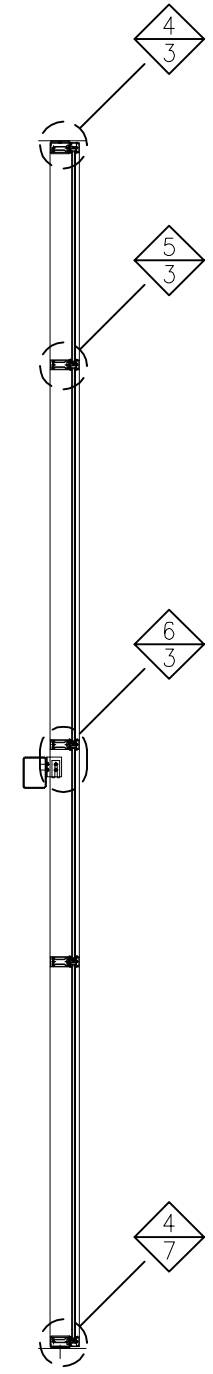


**Elevation**



**Section A**  
 ARCH. REF.  
 SCALE: NTS

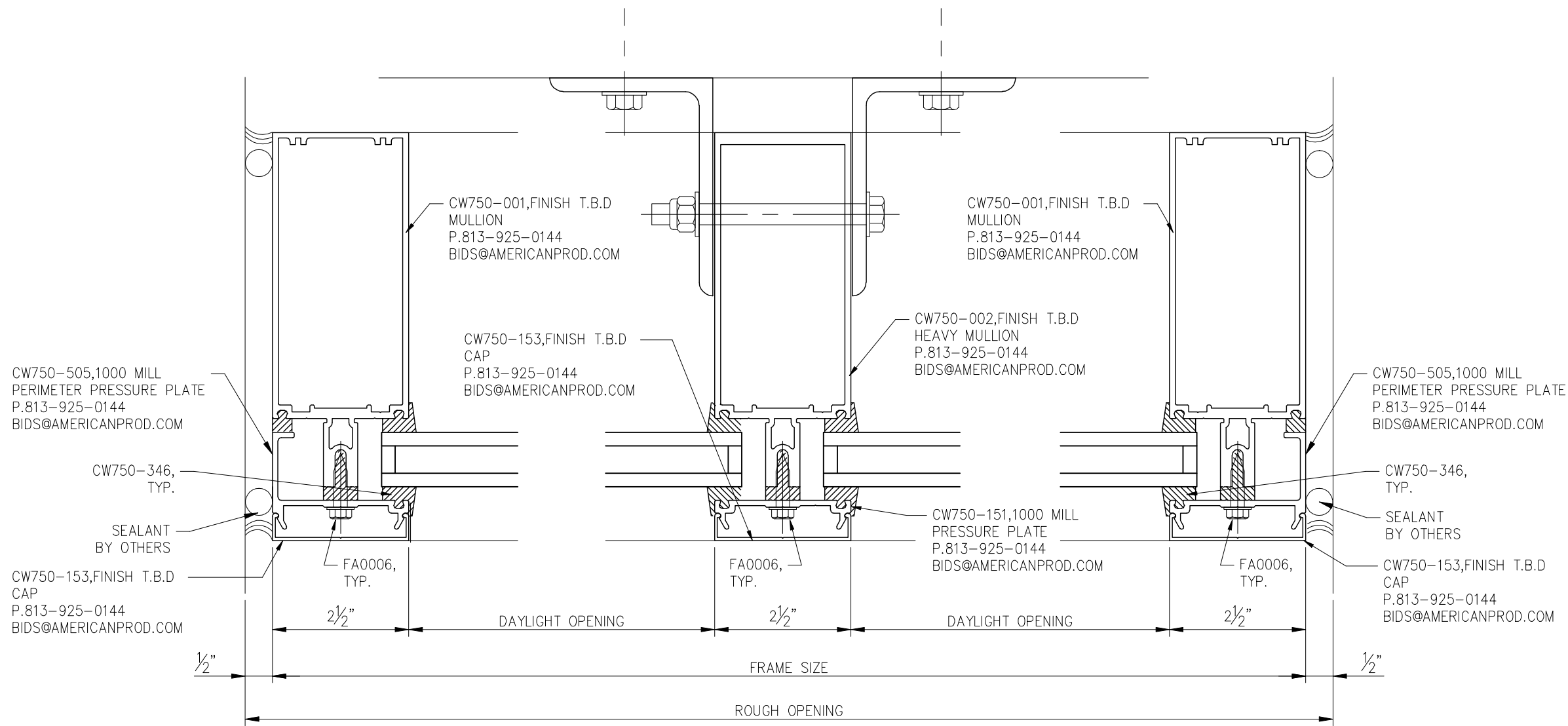
Bill of Materials	
Part	Part No.
2 1/2" x 5 1/4" Light Mullion for 1" glass	CW750-001
2 1/2" x 5 1/4" Heavy Mullion for 1" glass	CW750-002
3/4" snap on Cap	CW750-003
Pressure Plate	CW750-150
Perimeter Pressure Plate	CW750-151
T Anchor	CW750-152
F Anchor	CW750-153
Shear Block	CW750-154
Head/Sill Shear Block	CW750-155
Perimeter F Anchor	CW750-156
Joint Plug	CW750-375
Glazing Gasket	CW750-376
Thermal Break	CW750-377
Perimeter Gasket	CW750-378
1" Setting Block	CW750-379
#12x1 7/8" PH	FA0004
#12x 7/8" PH	FA0005
1/4"x1" hex head	FA0006

Customer: API In House  
 Assembly: 2-1/2" x 7-1/2" Curtain Wall  
 Scale: N.T.S  
 Drawn By: SW  
 Date: 12-13-10

API Recommends that this note appear with storefront elevations and section view details in your blueprints.  
 Storefront and related materials provided by American Products, Inc. (API). No substitutions without written consent from store owner/  
 Architect: API (813)925-0144



AMERICAN PRODUCTS, INC. (API)  
 12157 W. LINEBAUGH AVENUE #335  
 TAMPA, FL 33626  
 CONTACT: KERRI BEALS  
 PH (813)925-0144  
 WWW.AMERICANPROD.COM



Detail	
<b>1</b>	ARCH. REF. SCALE: NTS

Detail	
<b>2</b>	ARCH. REF. SCALE: NTS

Detail	
<b>3</b>	ARCH. REF. SCALE: NTS

API Recommends that this note appear with storefront elevations and section view details in your blueprints.

Storefront and related materials provided by American Products, Inc. (API). No substitutions without written consent from store owner/Architect. API (813)925-0144

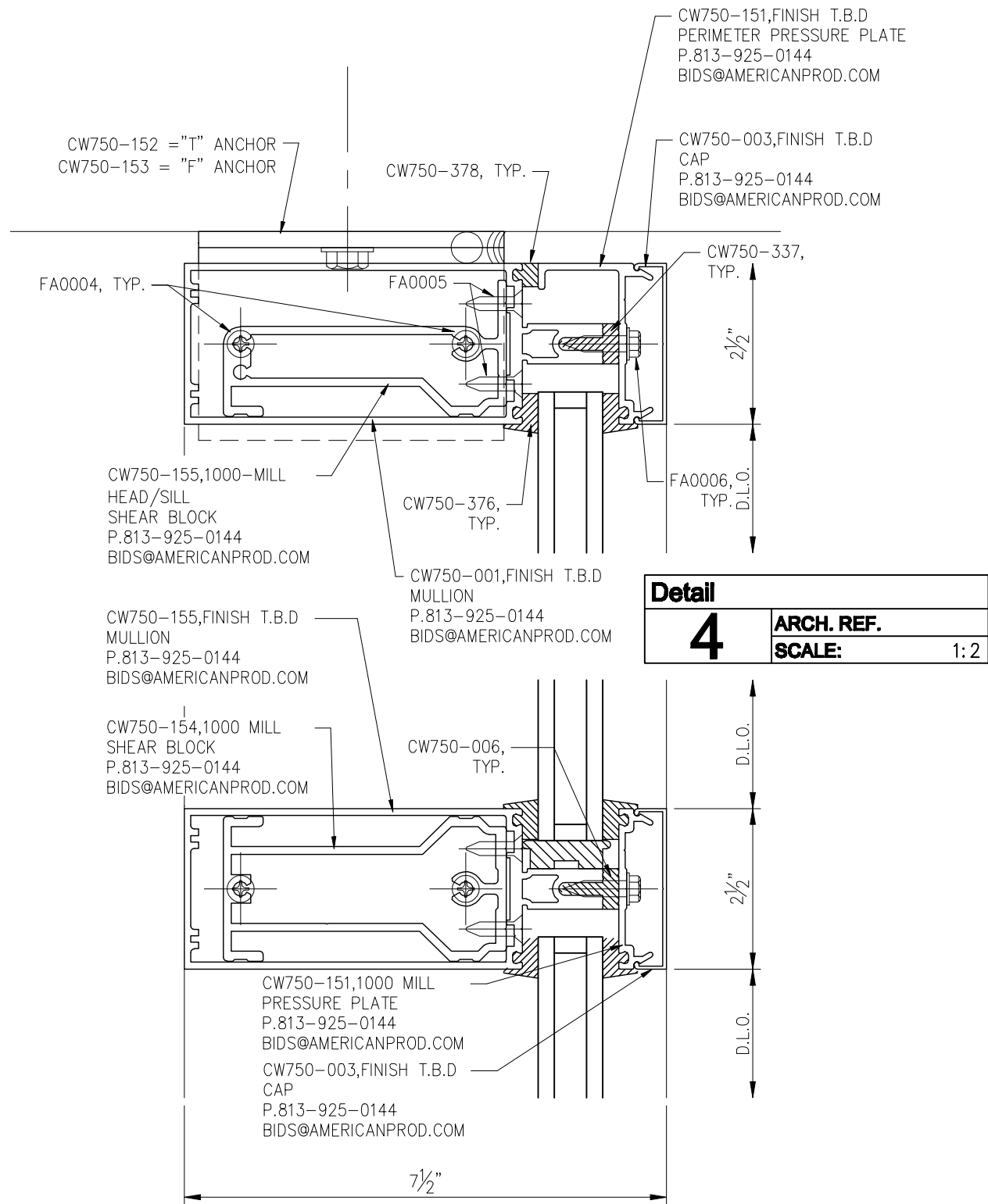
Customer: API In House  
 Assembly: 2-1/2" x 7-1/2" Curtain Wall  
 Scale: N.T.S  
 Drawn By: SW  
 Date: 12-13-10

Sheet: 2 of 4



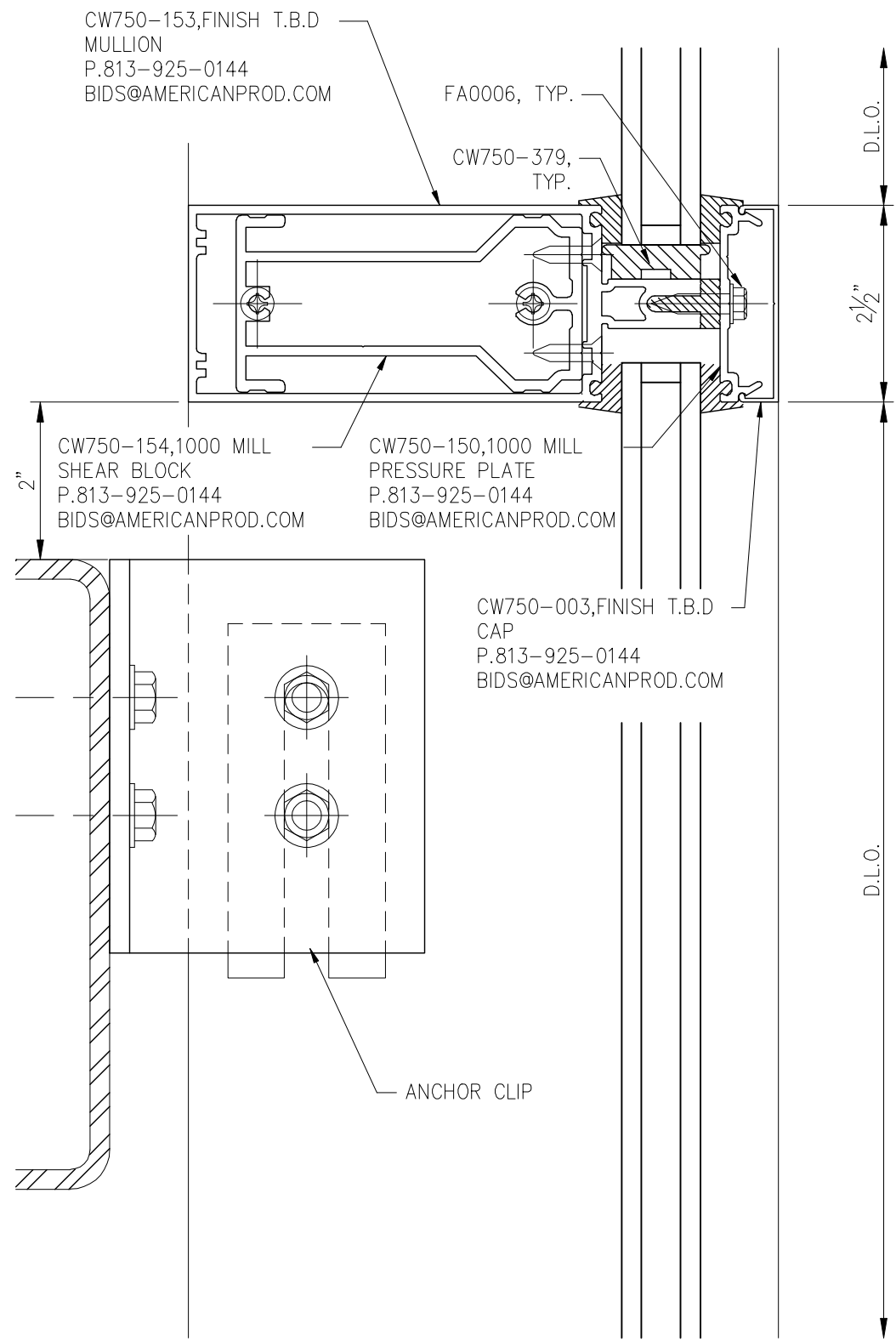
AMERICAN PRODUCTS, INC.  
 AMERICAN PRODUCTS, INC.

AMERICAN PRODUCTS, INC. (API)  
 12157 W. LINEBAUGH AVENUE #335  
 TAMPA, FL 33626  
 CONTACT: KERRI BEALS  
 PH (813)925-0144  
 WWW.AMERICANPROD.COM



<b>Detail</b>	
<b>4</b>	<b>ARCH. REF.</b>
	<b>SCALE:</b> 1:2

<b>Detail</b>	
<b>5</b>	<b>ARCH. REF.</b>
	<b>SCALE:</b> NTS



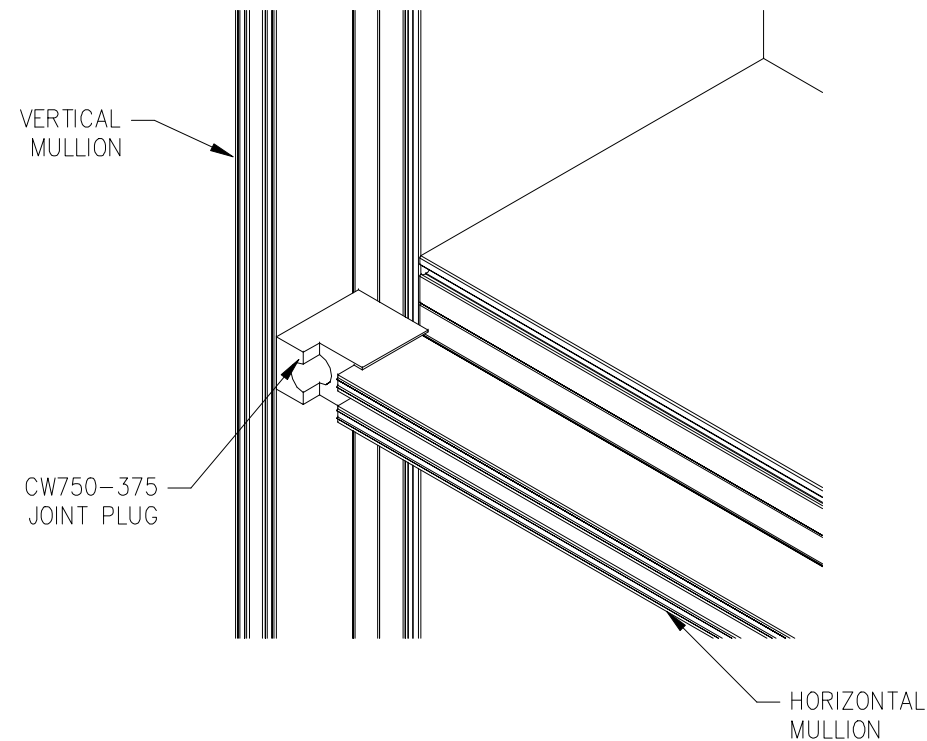
<b>Detail</b>	
<b>6</b>	<b>ARCH. REF.</b>
	<b>SCALE:</b> NTS

AMERICAN PRODUCTS, INC. (API)  
 12157 W. LINEBAUGH AVENUE #335  
 TAMPA, FL 33626  
 CONTACT: KERRI BEALS  
 PH (813)925-0144  
 WWW.AMERICANPROD.COM

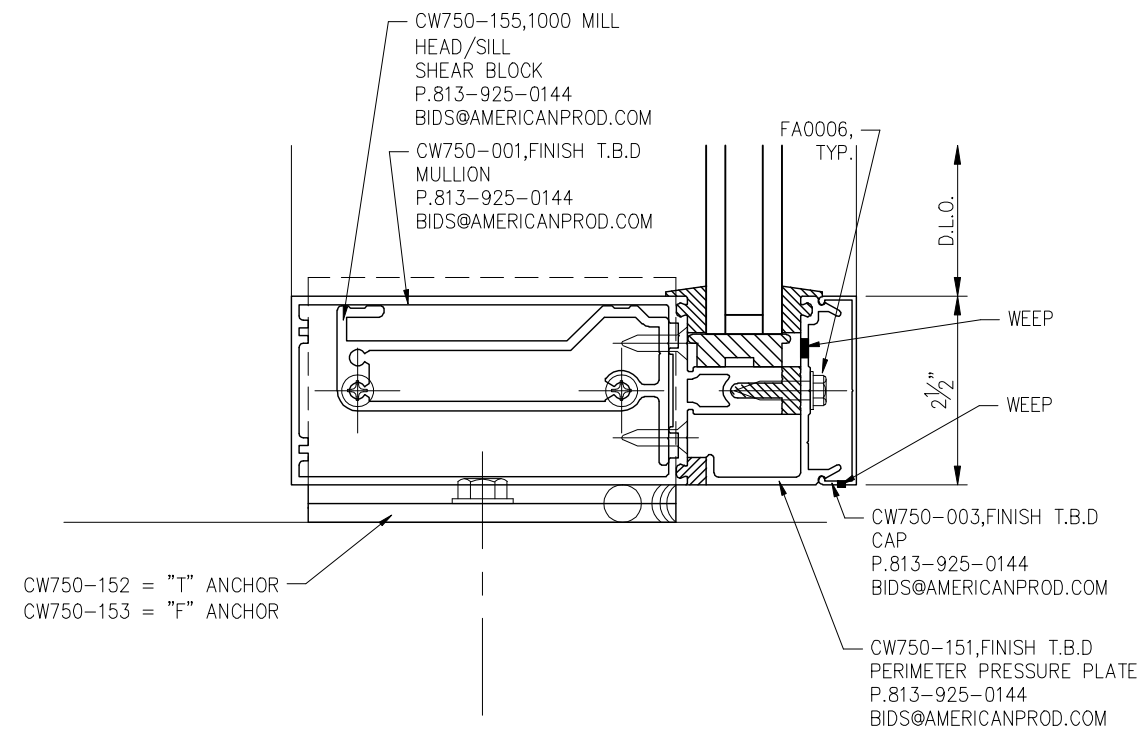


Customer: API In House  
 Assembly: 2-1/2" x 7-1/2" Curtain Wall  
 Scale: N.T.S  
 Drawn By: SW  
 Date: 12-13-10  
 Sheet: 3 of 4

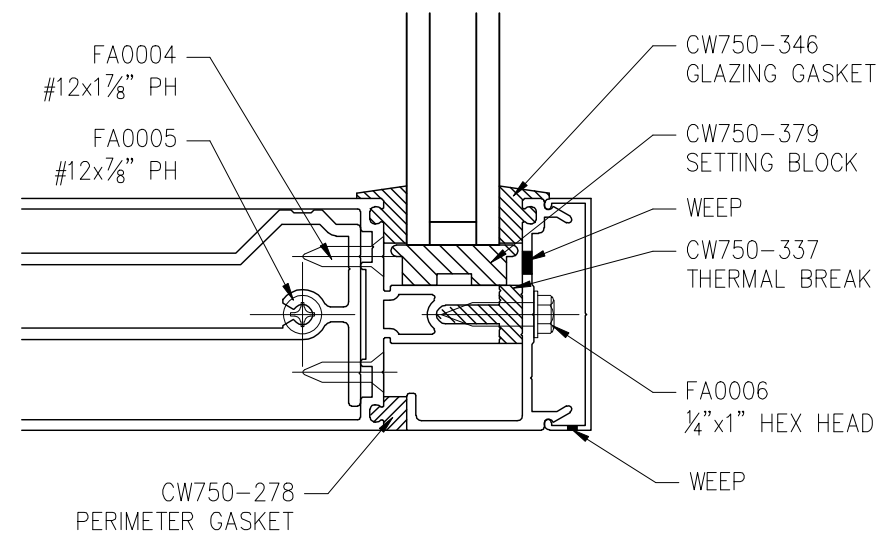
API Recommends that this note appear with storefront elevations and section view details in your blueprints.  
 Storefront and related materials provided by American Products, Inc. (API). No substitutions without written consent from store owner/  
 Architect: API (813)925-0144



## Typical Horizontal / Vertical Intersection



<b>Detail</b>	
<b>7</b>	<b>ARCH. REF.</b>
	<b>SCALE:</b> NTS



## Typical Assembly Detail

AMERICAN PRODUCTS, INC. (API)  
12157 W. LINEBAUGH AVENUE #335  
TAMPA, FL 33626  
CONTACT: KERRI BEALS  
PH (813)925-0144  
WWW.AMERICANPROD.COM



Customer: API In House	Sheet: 4 of 4
Assembly: 2-1/2" x 7-1/2" Curtain Wall	
Scale: N.T.S	
Drawn By: SW	
Date: 12-13-10	

API Recommends that this note appear with storefront elevations and section view details in your blueprints.

Storefront and related materials provided by American Products, Inc. (API). No substitutions without written consent from store owner/  
Architect: API (813)925-0144