

33  
6.25A

TYPICAL 7-3/4" MULLION @ VISION GLASS

PLEASE REFERENCE API  
CWU625 UNITIZED  
CURTAIN WALL SYSTEM  
FOR ACCESSORIES, CLIPS  
AND VINYL  
SPECIFICATIONS



AMERICAN PRODUCTS, INC. (API)  
12157 W. LINEBAUGH AVENUE #335  
TAMPA, FL 33626  
CONTACT: KERRI BEALS  
PH (813)925-0144  
WWW.AMERICANPROD.COM

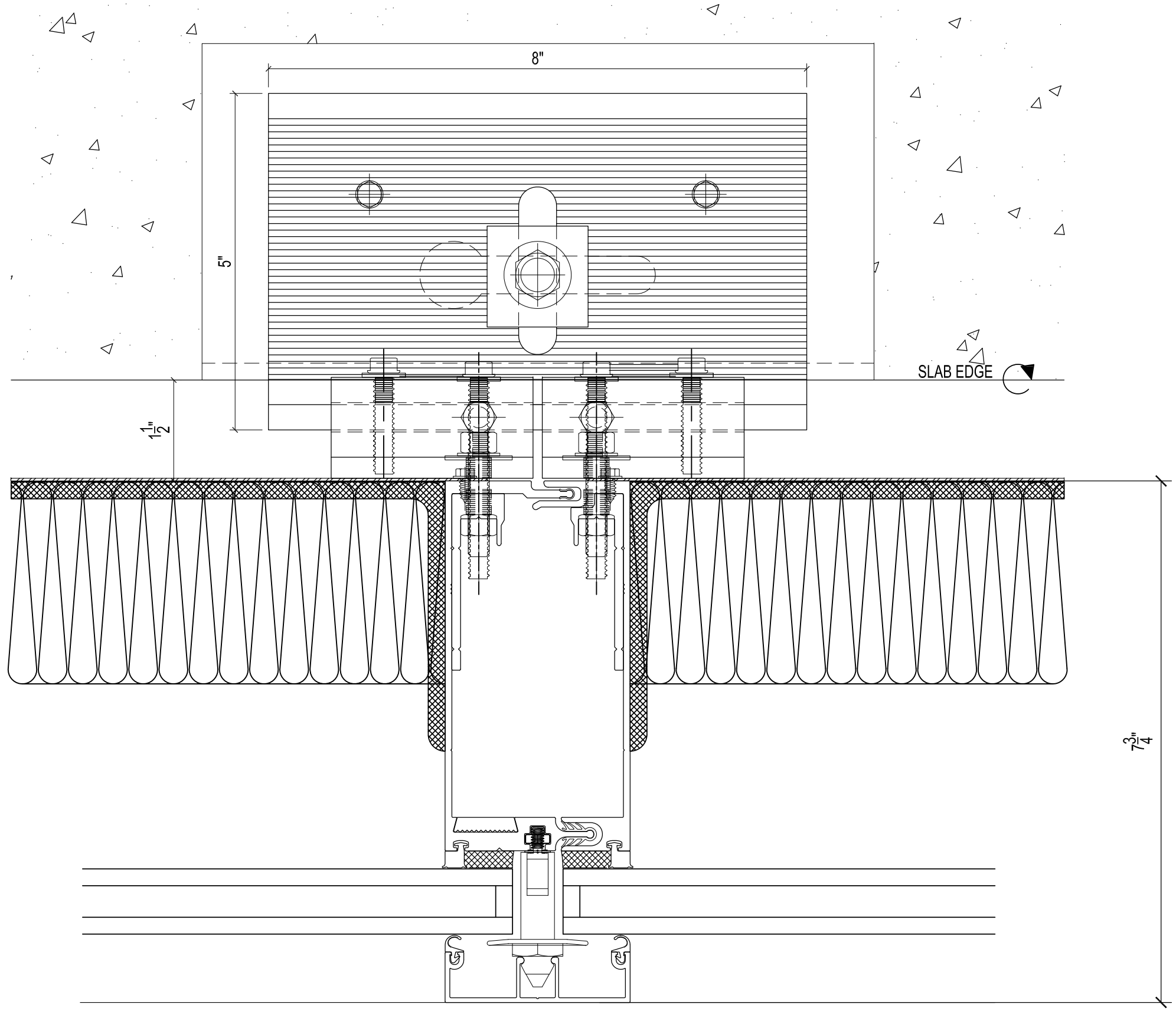
Customer:  
Assembly: 775 SERIES  
Scale: N.T.S.  
Drawn By: JC  
Date: 11/11/11

Sheet: 625

API Recommends that this note appear with storefront elevations and section view details in your blueprints.  
Storefront and related materials provided by American Products, Inc. (API). No substitutions without written consent from store owner/Architect. API (813)925-0144

34  
6.26A

TYPICAL 7-3/4" MULLION DETAIL @ SPANDREL GLASS ALONG BRACKET



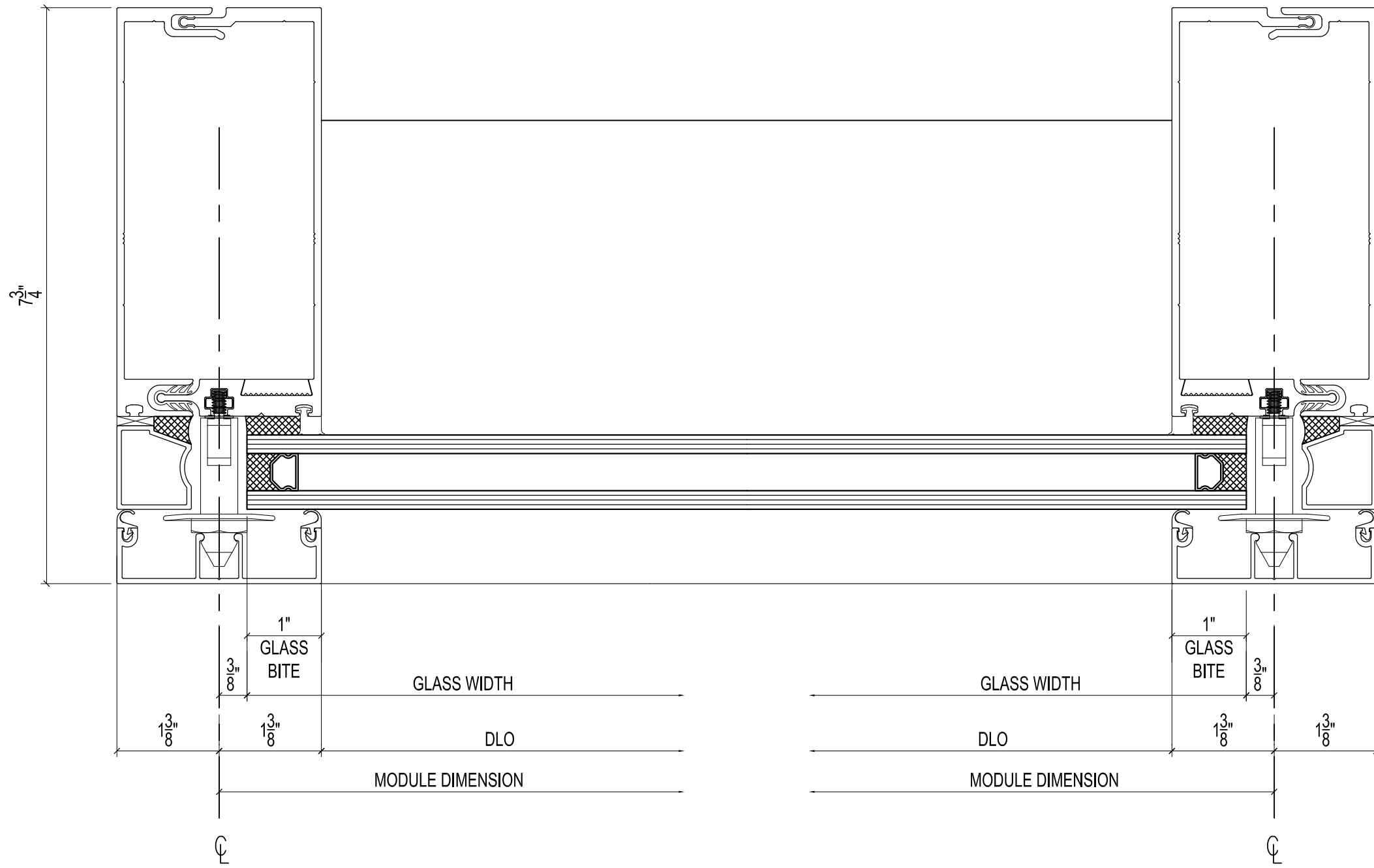
PLEASE REFERENCE API  
CWU625 UNITIZED  
CURTAIN WALL SYSTEM  
FOR ACCESSORIES, CLIPS  
AND VINYL  
SPECIFICATIONS

API Recommends that this note appear with storefront elevations and section view details in your blueprints.  
Storefront and related materials provided by American Products, Inc. (API). No substitutions without written consent from store owner/  
Architect: API (813)925-0144

Customer:	
Assembly:	775 SERIES
Scale:	N.T.S.
Drawn By:	JC
Date:	11/11/11
	Sheet: 626



AMERICAN PRODUCTS, INC. (API)  
12157 W. LINEBAUGH AVENUE #335  
TAMPA, FL 33626  
CONTACT: KERRI BEALS  
PH (813)925-0144  
WWW.AMERICANPROD.COM



**35** TYPICAL 7-3/4" JAMB MULLION DETAIL  
6.27A

PLEASE REFERENCE API  
CWU625 UNITIZED  
CURTAIN WALL SYSTEM  
FOR ACCESSORIES, CLIPS  
AND VINYL  
SPECIFICATIONS



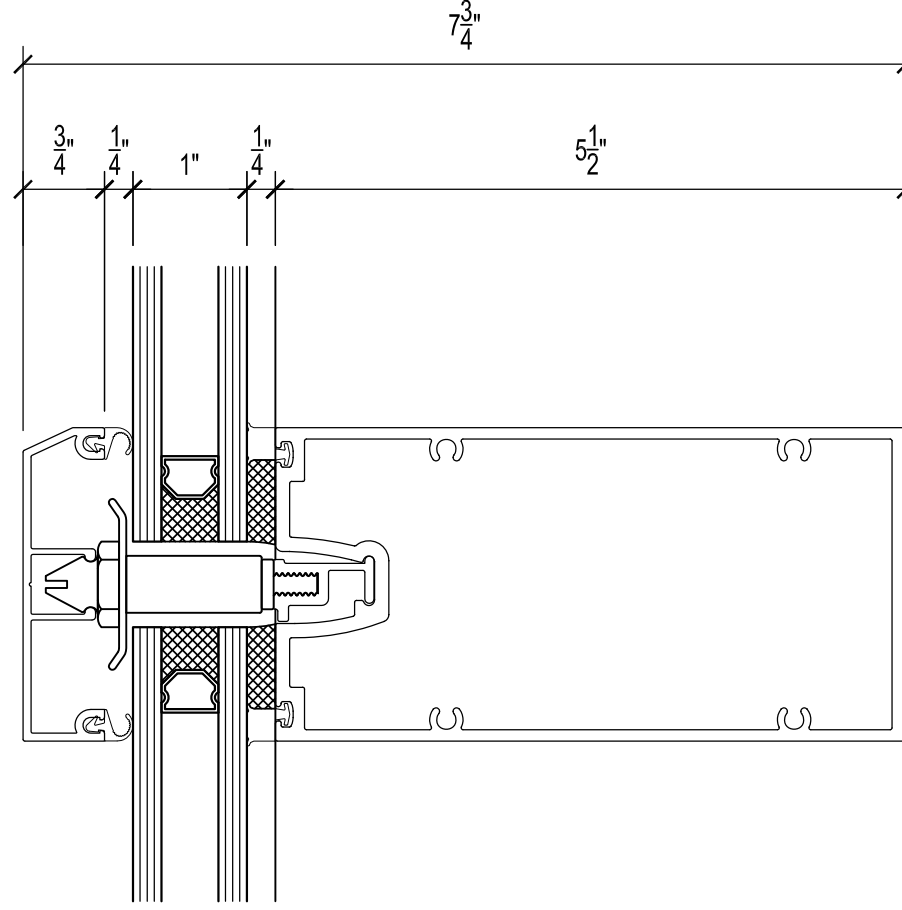
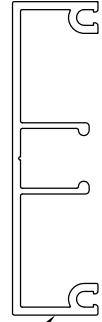
AMERICAN PRODUCTS, INC. (API)  
12157 W. LINEBAUGH AVENUE #335  
TAMPA, FL 33626  
CONTACT: KERRI BEALS  
PH (813)925-0144  
WWW.AMERICANPROD.COM

Customer:  
Assembly: 775 SERIES  
Scale: N.T.S.  
Drawn By: JC  
Date: 11/8/11

Sheet: 627

API Recommends that this note appear with storefront elevations and section view details in your blueprints.  
Storefront and related materials provided by American Products, Inc. (API). No substitutions without written consent from store owner/Architect. API (813)925-0144

OPTIONAL SNAP COVER



19  
7.18A

### TYPICAL 2-3/4" HORIZONTAL DETAIL @ 7-3/4" DEEP

PLEASE REFERENCE API  
CWU625 UNITIZED  
CURTAIN WALL SYSTEM  
FOR ACCESSORIES, CLIPS  
AND VINYL  
SPECIFICATIONS

API Recommends that this note appear with storefront elevations and section view details in your blueprints.

Storefront and related materials provided by American Products, Inc. (API). No substitutions without written consent from store owner/Architect. API (813)925-0144

Customer:

Assembly: 775 SERIES

Scale: N.T.S.

Drawn By: JC

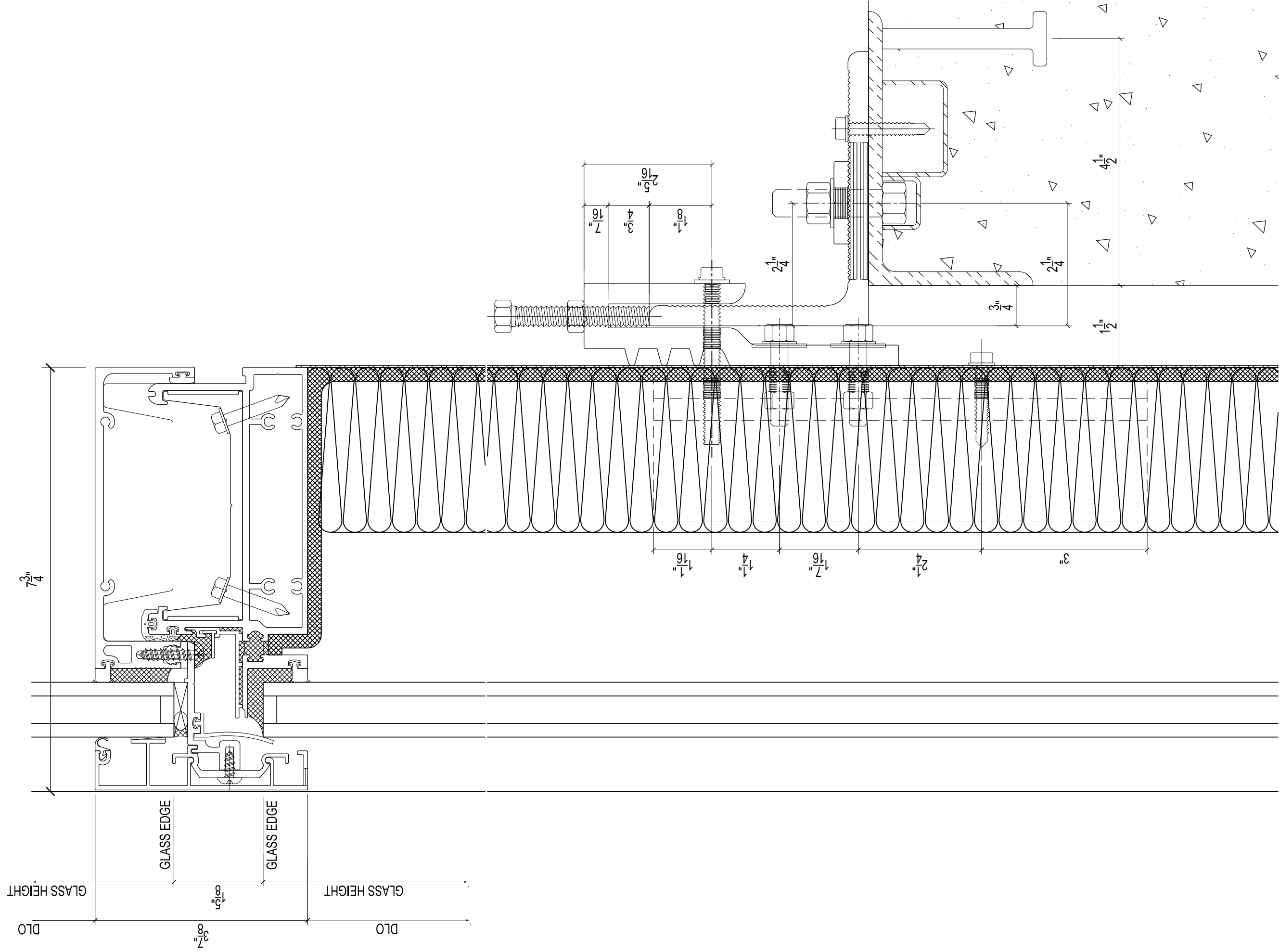
Date: 11/8/11

Sheet: 718



AMERICAN  
PRODUCTS, INC.

AMERICAN PRODUCTS, INC. (API)  
12157 W. LINEBAUGH AVENUE #335  
TAMPA, FL 33626  
CONTACT: KERRI BEALS  
PH (813)925-0144  
WWW.AMERICANPROD.COM



20  
7.18A

**TYPICAL 3-7/8" STACK JOINT DETAIL  
@ 7-3/4" DEEP**

PLEASE REFERENCE API  
CWU625 UNITED  
CURTAIN WALL SYSTEM  
FOR ACCESSORIES, CLIPS  
AND VINYL  
SPECIFICATIONS

API Recommends that this note appear with storefront elevations and section view details in your blueprints.

Storefront and related materials provided by American Products, Inc. (API). No substitutions without written consent from store owner/Architect. API (813)925-0144

Customer:

Assembly: 775 SERIES

Scale: N.T.S.

Drawn By: JC

Date: 11/8/11

Sheet: 719



AMERICAN PRODUCTS, INC.

AMERICAN PRODUCTS, INC. (API)  
12157 W. LINEBAUGH AVENUE #335  
TAMPA, FL 33626  
CONTACT: KERRI BEALS  
PH (813)925-0144  
WWW.AMERICANPROD.COM