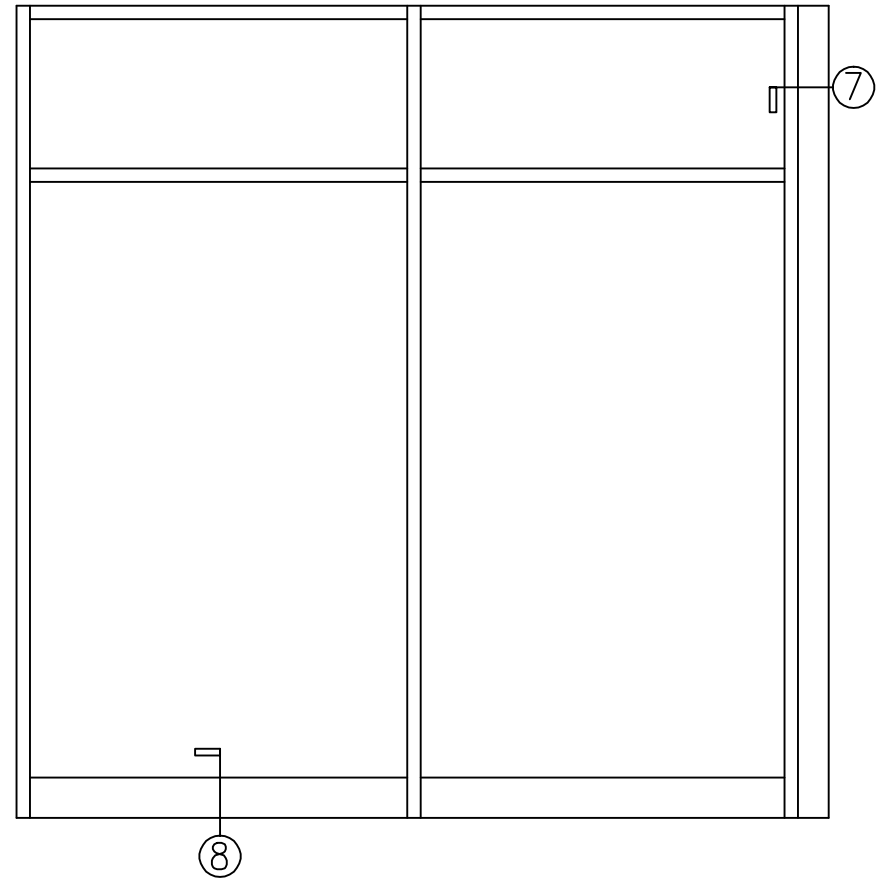
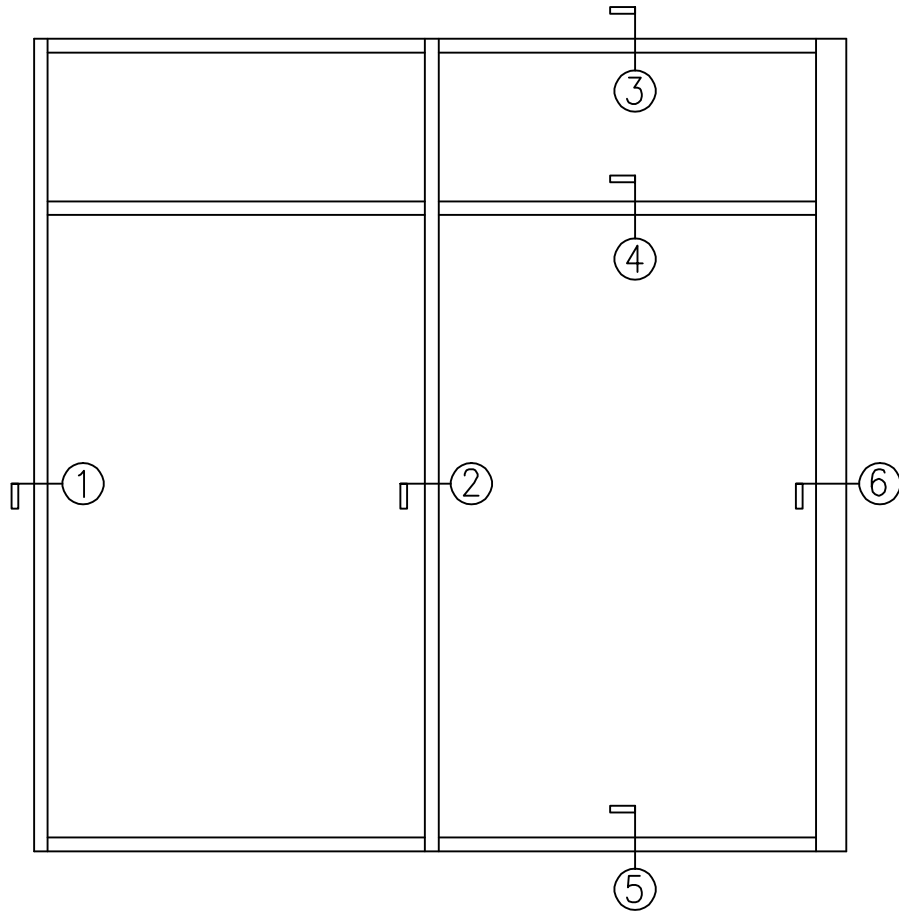




ELEVATION

ELEVATION



API Recommends that this note appear with storefront elevations and section view details in your blueprints.

Storefront and related materials provided by American Products, Inc. (API). No substitutions without written consent from store owner/Architect. API (813)925-0144

Customer: API In House

Assembly: 2" x 4-1/2" Flush Glaze for 1" Glass (Exterior)

Scale: N.T.S

Drawn By: SW

Date: 11-18-10

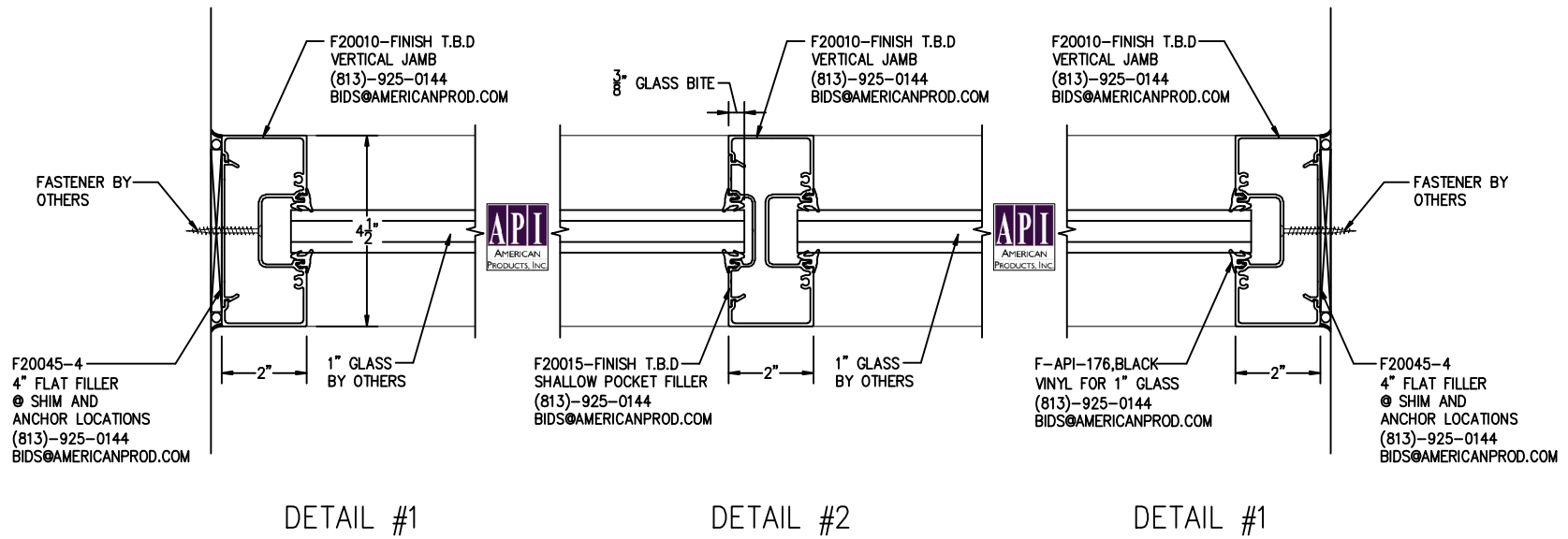
Sheet: 1 of 9



AMERICAN PRODUCTS, INC.

AMERICAN PRODUCTS, INC. (API)  
 12157 W. LINEBAUGH AVENUE #335  
 TAMPA, FL 33626  
 CONTACT: KERRI BEALS  
 PH (813)925-0144  
 WWW.AMERICANPROD.COM

PLAN SECTION WITH INTERMEDIATE VERTICAL



DETAIL #1

DETAIL #2

DETAIL #1

API Recommends that this note appear with storefront elevations and section view details in your blueprints.

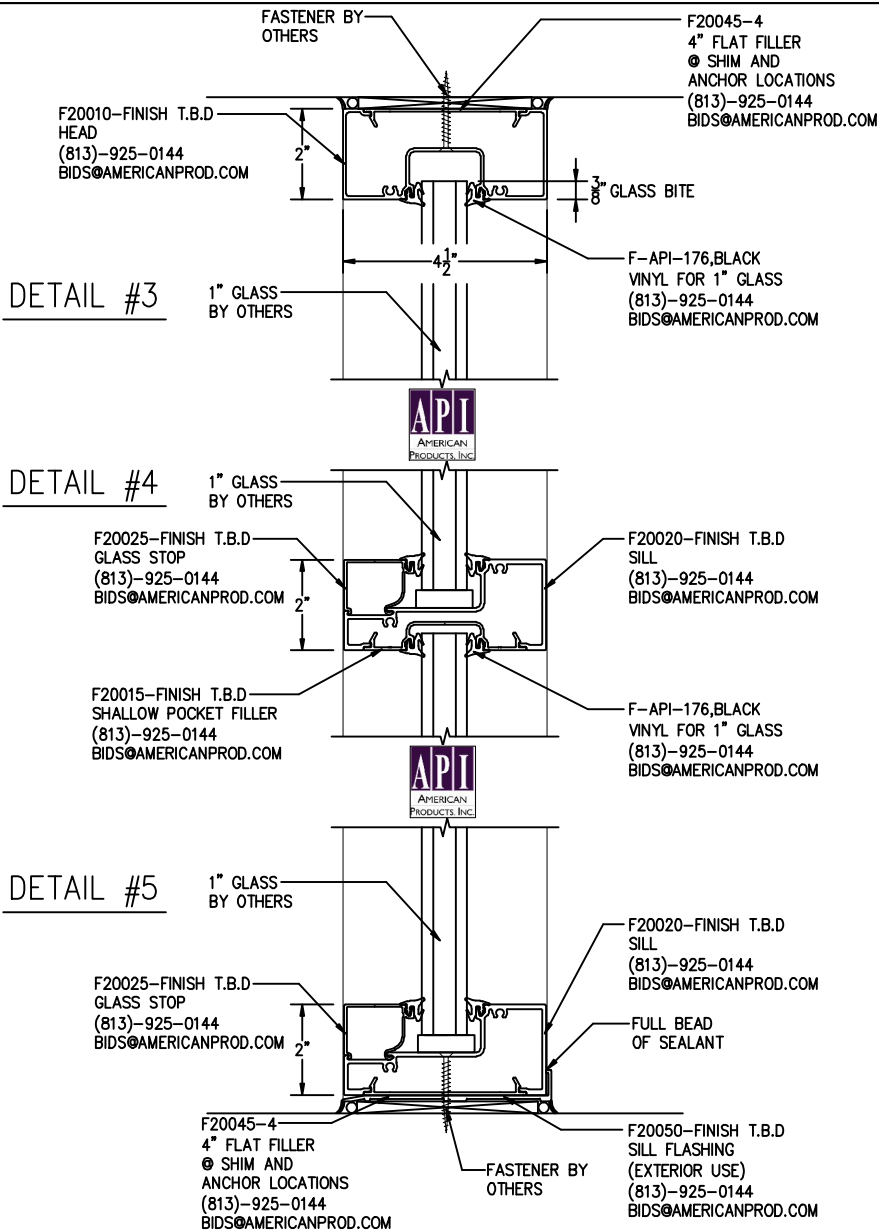
Storefront and related materials provided by American Products, Inc. (API). No substitutions without written consent from store owner/Architect. API (813)925-0144

Customer: API In House	
Assembly: 2" x 4-1/2" Flush Glaze for 1" Glass (Exterior)	
Scale: 1/4" = 1"	
Drawn By: SW	
Date: 11-18-10	Sheet: 2 of 9

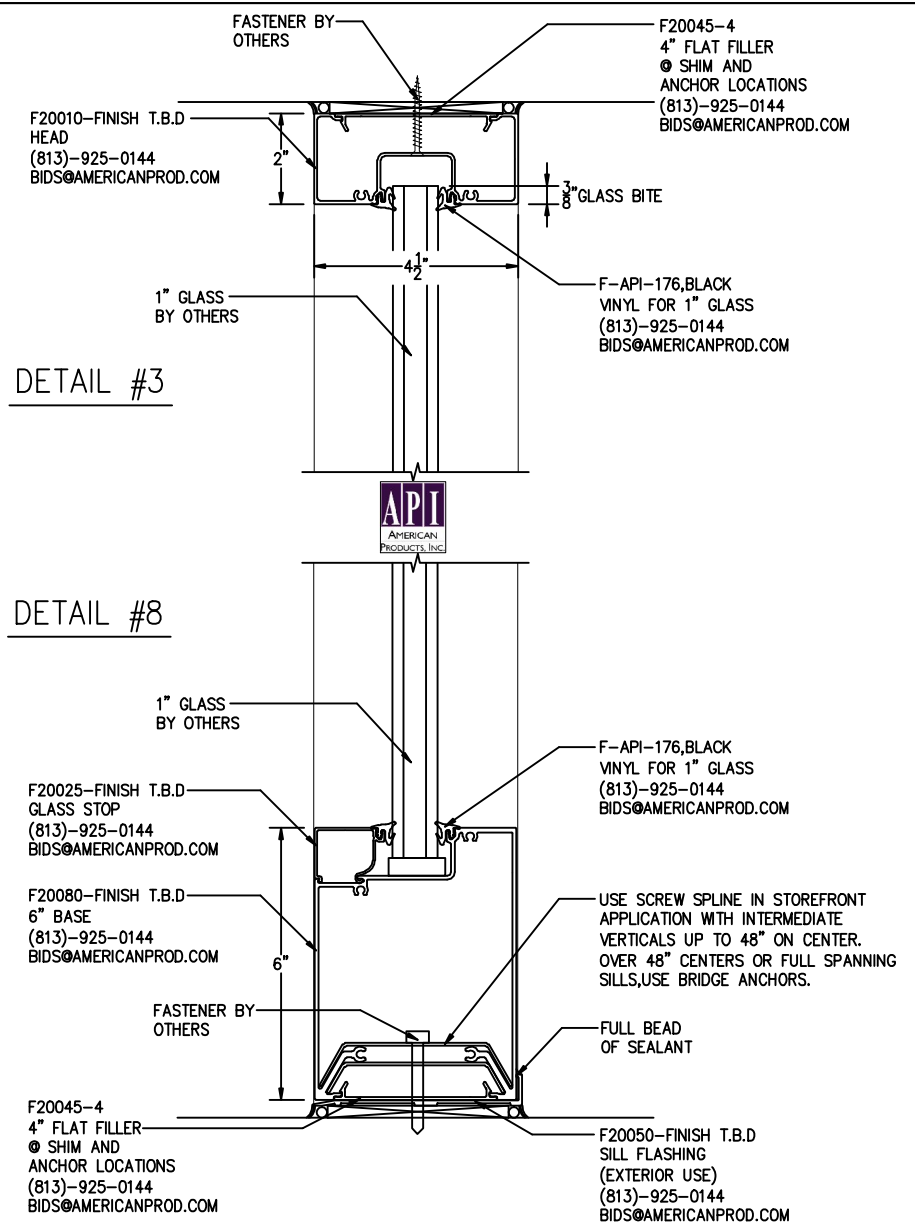


AMERICAN PRODUCTS, INC. (API)  
 12157 W. LINEBAUGH AVENUE #335  
 TAMPA, FL 33626  
 CONTACT: KERRI BEALS  
 PH (813)925-0144  
 WWW.AMERICANPROD.COM

VERTICAL SECTION WITH INTERMEDIATE



VERTICAL SECTION WITH 6" BASE



API Recommends that this note appear with storefront elevations and section view details in your blueprints.

Storefront and related materials provided by American Products, Inc. (API). No substitutions without written consent from store owner/ Architect. API (813)925-0144

Customer: API In House

Assembly: 2" x 4-1/2" Flush Glaze for 1" Glass (Exterior)

Scale: 1/4" = 1"

Drawn By: SW

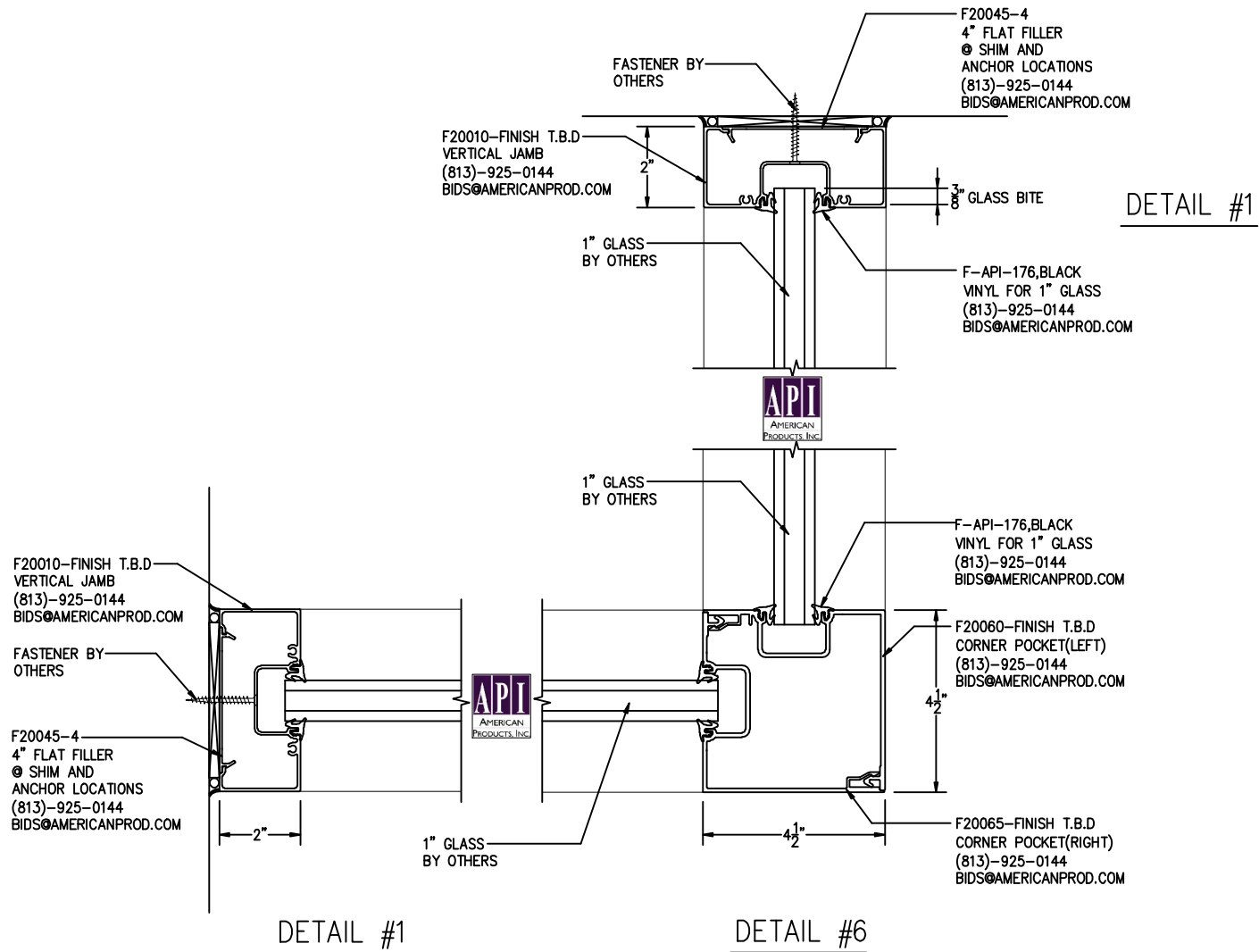
Date: 11-18-10

Sheet: 3 of 9



AMERICAN PRODUCTS, INC. (API)  
 12157 W. LINEBAUGH AVENUE #335  
 TAMPA, FL 33626  
 CONTACT: KERRI BEALS  
 PH (813)925-0144  
 WWW.AMERICANPROD.COM

PLAN SECTION WITH 4-1/2" CORNER ASSEMBLY



API Recommends that this note appear with storefront elevations and section view details in your blueprints.

Storefront and related materials provided by American Products, Inc. (API). No substitutions without written consent from store owner/ Architect. API (813)925-0144

Customer: API In House

Assembly: 2" x 4-1/2" Flush Glaze for 1" Glass (Exterior)

Scale: 1/4" = 1"

Drawn By: SW

Date: 11-18-10

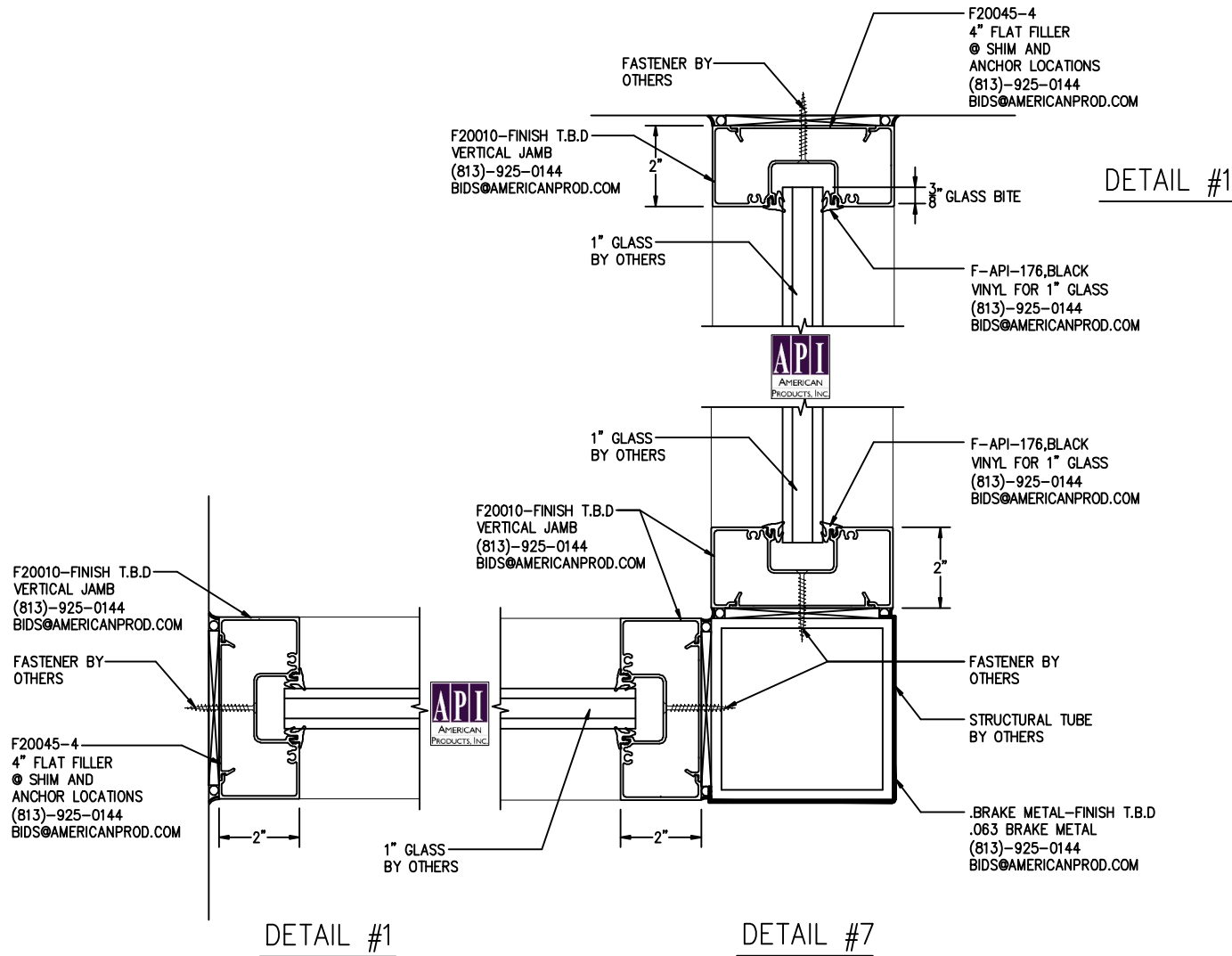
Sheet: 4 of 9



AMERICAN PRODUCTS, INC.

AMERICAN PRODUCTS, INC. (API)  
12157 W. LINEBAUGH AVENUE #335  
TAMPA, FL 33626  
CONTACT: KERRI BEALS  
PH (813)925-0144  
WWW.AMERICANPROD.COM

PLAN SECTION WITH STRUCTURAL COLUMN BY OTHERS



API Recommends that this note appear with storefront elevations and section view details in your blueprints.

Storefront and related materials provided by American Products, Inc. (API). No substitutions without written consent from store owner/Architect. API (813)925-0144

Customer: API In House

Assembly: 2" x 4-1/2" Flush Glaze for 1" Glass (Exterior)

Scale: 1/4" = 1"

Drawn By: SW

Date: 11-18-10

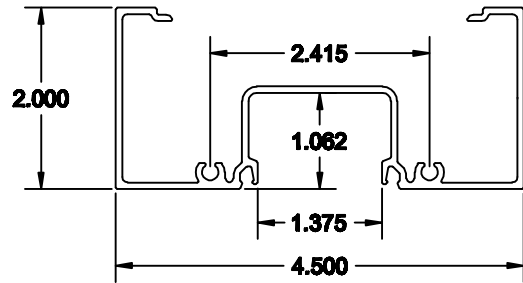
Sheet: 5 of 9



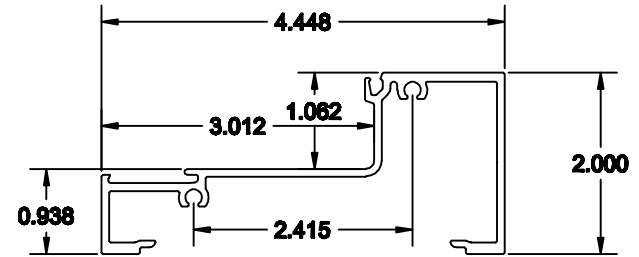
AMERICAN PRODUCTS, INC.

AMERICAN PRODUCTS, INC. (API)  
12157 W. LINEBAUGH AVENUE #335  
TAMPA, FL 33626  
CONTACT: KERRI BEALS  
PH (813)925-0144  
WWW.AMERICANPROD.COM

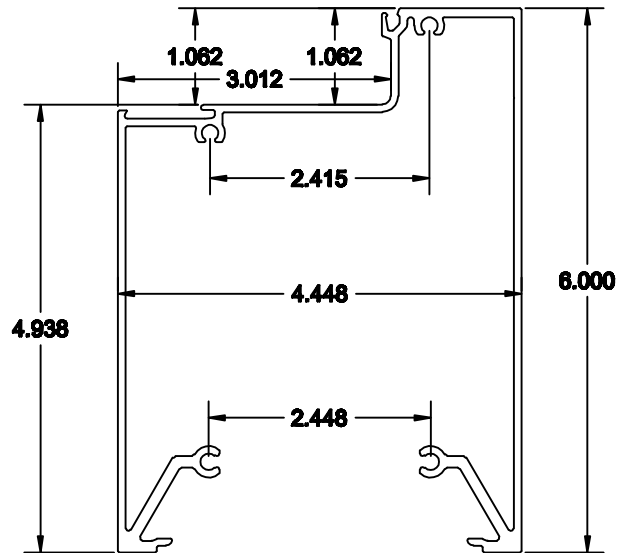
F20010-HEAD/JAMB



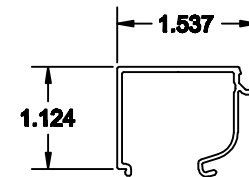
F20020-HORIZONTAL/SILL



F20080-6" BASE



F20025-STOP



API Recommends that this note appear with storefront elevations and section view details in your blueprints.

Storefront and related materials provided by American Products, Inc. (API). No substitutions without written consent from store owner/Architect. API (813)925-0144

Customer: API In House

Assembly: 2" x 4-1/2" Flush Glaze for 1" Glass (Exterior)

Scale: 1/2" = 1"

Drawn By: SW

Date: 11-18-10

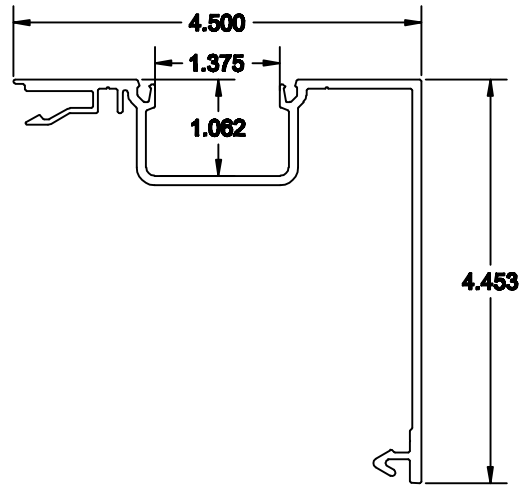
Sheet: 6 of 9



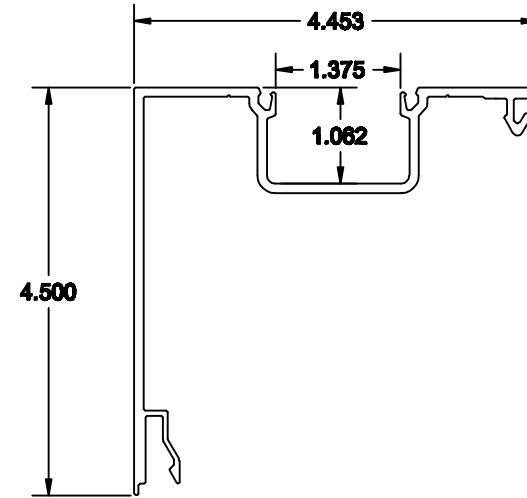
AMERICAN PRODUCTS, INC.

AMERICAN PRODUCTS, INC. (API)  
12157 W. LINEBAUGH AVENUE #335  
TAMPA, FL 33626  
CONTACT: KERRI BEALS  
PH (813)925-0144  
WWW.AMERICANPROD.COM

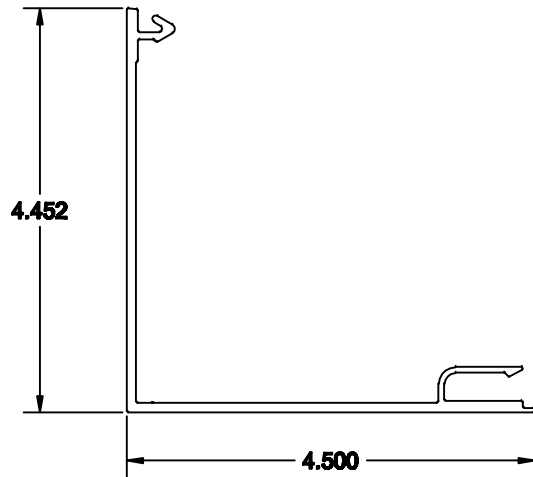
F20060-CORNER POST (LEFT)



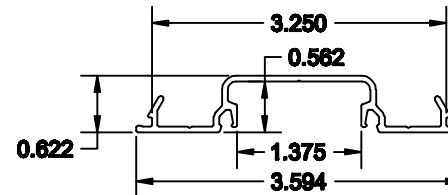
F20065-CORNER POST (RIGHT)



F20075-SLICK CORNER



F20015-SHALLOW POCKET FILLER



API Recommends that this note appear with storefront elevations and section view details in your blueprints.

Storefront and related materials provided by American Products, Inc. (API). No substitutions without written consent from store owner/ Architect. API (813)925-0144

Customer: API In House

Assembly: 2" x 4-1/2" Flush Glaze for 1" Glass (Exterior)

Scale: 1/2" = 1"

Drawn By: SW

Date: 11-18-10

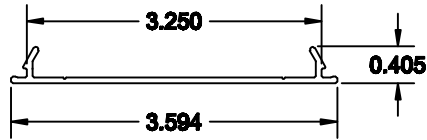
Sheet: 7 of 9



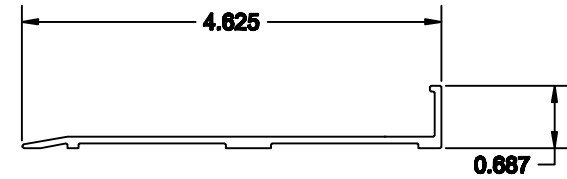
AMERICAN PRODUCTS, INC.

AMERICAN PRODUCTS, INC. (API)  
12157 W. LINEBAUGH AVENUE #335  
TAMPA, FL 33626  
CONTACT: KERRI BEALS  
PH (813)925-0144  
WWW.AMERICANPROD.COM

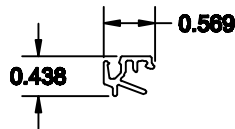
F20045-4 4" FLAT FILLER



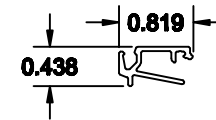
F20050-SILL FLASHING (EXTERIOR USE)



F50005-1/2" "SLIDE IN" ADAPTOR



F50010-1/4" "SLIDE IN" ADAPTOR



API Recommends that this note appear with storefront elevations and section view details in your blueprints.

Storefront and related materials provided by American Products, Inc. (API). No substitutions without written consent from store owner/Architect. API (813)925-0144

Customer: API In House

Assembly: 2" x 4-1/2" Flush Glaze for 1" Glass (Exterior)

Scale: 1/2" = 1"

Drawn By: SW

Date: 11-18-10

Sheet: 8 of 9

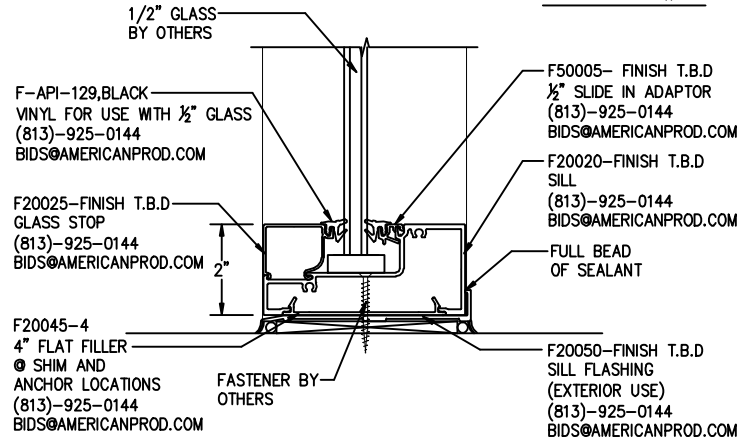


AMERICAN PRODUCTS, INC.

AMERICAN PRODUCTS, INC. (API)  
12157 W. LINEBAUGH AVENUE #335  
TAMPA, FL 33626  
CONTACT: KERRI BEALS  
PH (813)925-0144  
WWW.AMERICANPROD.COM

SILL ASSEMBLY FOR 1/2" GLASS (1/4" SLIDE IN ADAPTOR IS USED THE SAME WAY)

DETAIL #5



NOTE: ADAPTOR TO SLIDE IN PRIOR TO FRAME ASSEMBLY/INSTALL

GLAZING GASKET-F2000 SERIES (1"-GLAZING)

	1/8"	1/4"	3/8"	1/2"	5/8"	3/4"	7/8"	1"
F-API-129	X			X			X	
F-API-176		X			X			X
F-API-177			X			X		
SMALL ADAPTER F50005			X	X	X			
LARGE ADAPTER F50010	X	X						

API Recommends that this note appear with storefront elevations and section view details in your blueprints.

Storefront and related materials provided by American Products, Inc. (API). No substitutions without written consent from store owner/ Architect. API (813)925-0144

Customer: API In House

Assembly: 2" x 4-1/2" Flush Glaze for 1" Glass (Exterior)

Scale: 1/4" = 1"

Drawn By: SW

Date: 11-18-10

Sheet: 9 of 9



AMERICAN PRODUCTS, INC.

AMERICAN PRODUCTS, INC. (API)  
12157 W. LINEBAUGH AVENUE #335  
TAMPA, FL 33626  
CONTACT: KERRI BEALS  
PH (813)925-0144  
WWW.AMERICANPROD.COM