

AMERICAN PRODUCTS, INC (API)
F2000T- SYSTEM FOR 1" GLASS

LIST OF MATERIALS:

PART #	DESCRIPTION
F20010-T	HEAD/JAMB, 24' S/L
F20030-T	SILL, 24' S/L
F20080-T	4-1/2" SIDELITE BASE, 24' S/L
F20025	GLASS STOP, 24' S/L
F20060-T	CORNER POST (LEFT), 24' S/L
F20065-T	CORNER POST (RIGHT), 24' S/L
F20015-T	SHALLOW POC. FILLER, 24' S/L
F20050-T	SILL FLASHING, 24' S/L
F20020-T	HORIZONTAL, 24' S/L
F20085-T	HEAD RECEPTOR
F20090-T	RECEPTOR BEAD

AVAILABLE FINISHES:

FINISH	API/US	DESCRIPTION
1101	US28	CLEAR ANODIZED
1801	US 313	DARK BRONZE ANODIZED
CLAD	US32D #4	BRUSHED STAINLESS
CLAD	US32 #8	POLISHED STAINLESS
N/A	N/A	DARK IVY KYNAR

BASIC ORDERING INFORMATION:

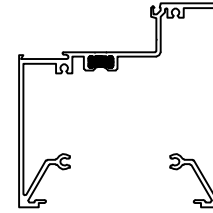
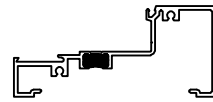
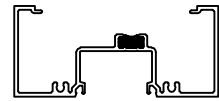
(PART #)-(FINISH CODE)

EXAMPLE: F20065-T, 1101

FLORIDA PRODUCT APPROVAL#:

FL14179

GLASS CALCULATIONS: DLO + 3/4"

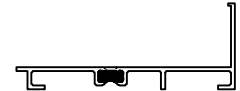
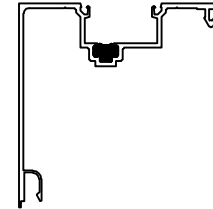
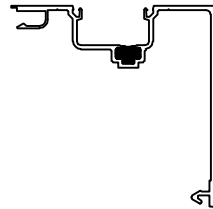


F20010-T, HEAD/JAMB

F20030-T, SILL

F20080-T, 4-1/2" SIDELITE BASE

F20025, GLASS STOP

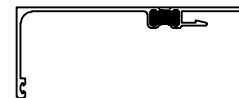
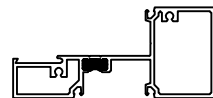


F20060-T, CORNER POST (LEFT)

F20065-T, CORNER POST (RIGHT)

F20015-T, SHALLOW POCKET FILLER

F20050-T, SILL FLASHING



F20020-T, HORIZONTAL

F20085-T, HEAD RECEPTOR

F20090, RECEPTOR BEAD

API Recommends that this note appear with storefront elevations and section view details in your blueprints.
Storefront and related materials provided by American Products, Inc. (API). No substitutions without written consent from store owner/Architect. API (813)925-0144

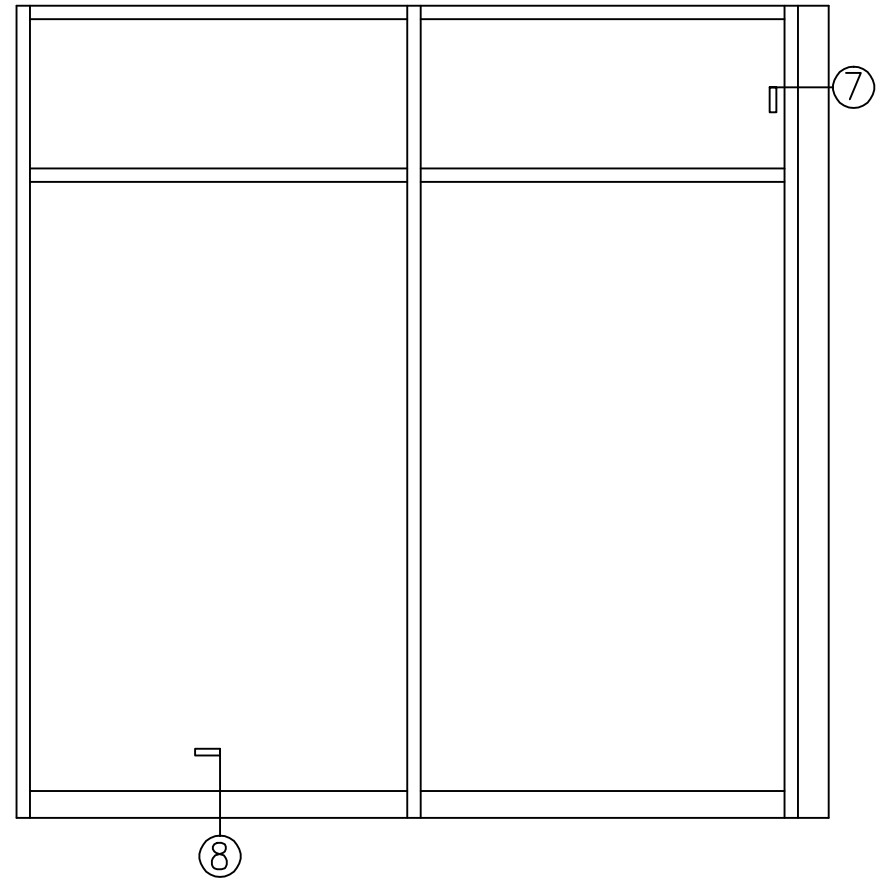
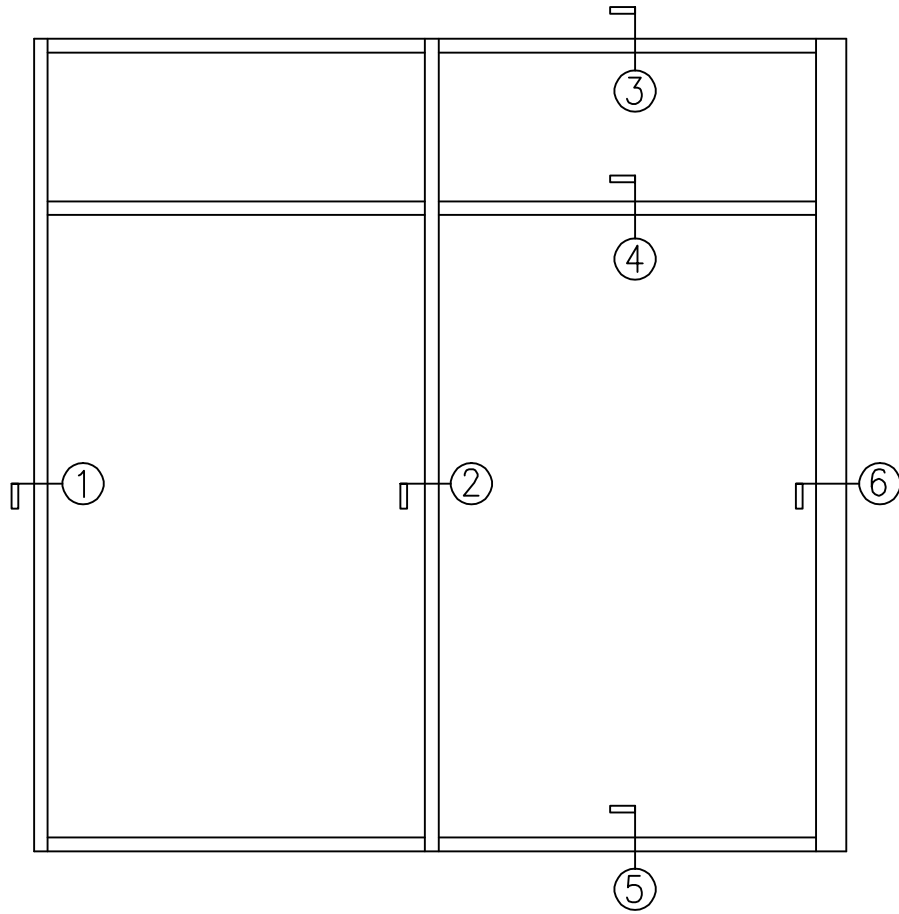
Customer: API In House
Assembly: 2" X 4-1/2" Thermal Flush Glaze for 1" Glass
Scale: 1/4" = 1"
Drawn By: SW
Date: 12-01-10 Sheet: Cover



AMERICAN PRODUCTS, INC. (API)
12157 W. LINEBAUGH AVENUE #335
TAMPA, FL 33626
CONTACT: KERRI BEALS
PH (813)925-0144
WWW.AMERICANPROD.COM

ELEVATION

ELEVATION



API Recommends that this note appear with storefront elevations and section view details in your blueprints.

Storefront and related materials provided by American Products, Inc. (API). No substitutions without written consent from store owner/Architect. API (813)925-0144

Customer: API In House

Assembly: 2" x 4-1/2" Thermal Flush Glaze for 1" Glass

Scale: N.T.S

Drawn By: SW

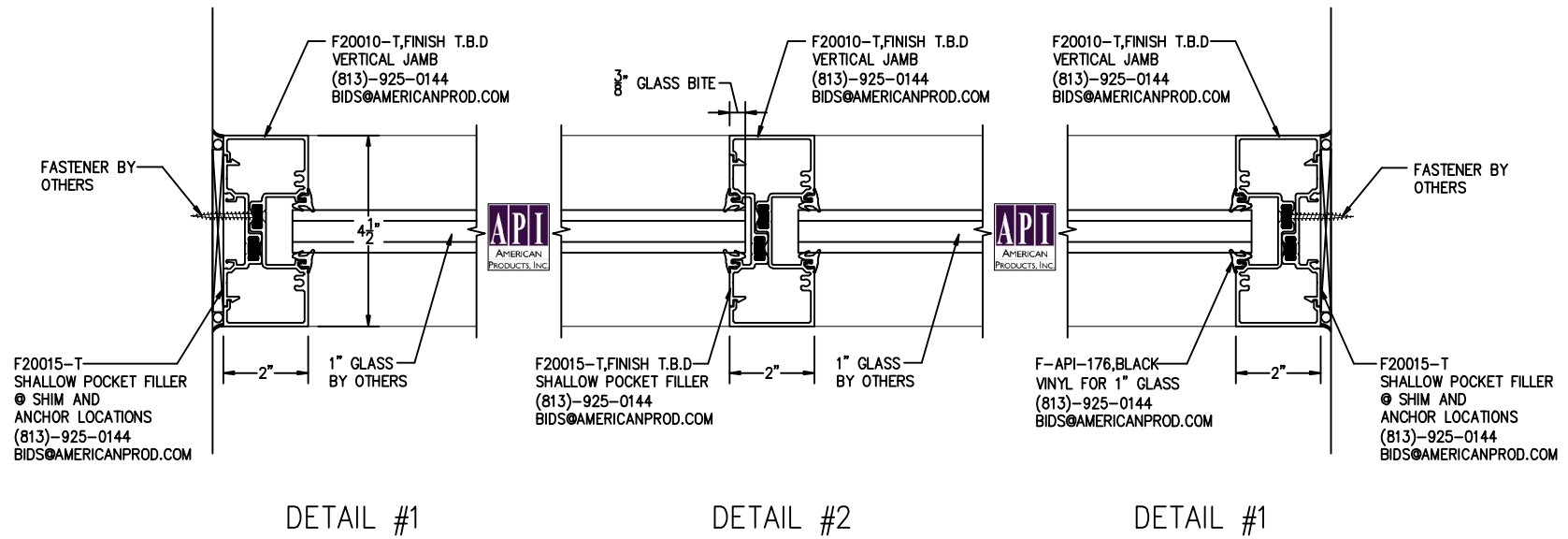
Date: 12-01-10

Sheet: 1 of 8



AMERICAN PRODUCTS, INC. (API)
 12157 W. LINEBAUGH AVENUE #335
 TAMPA, FL 33626
 CONTACT: KERRI BEALS
 PH (813)925-0144
 WWW.AMERICANPROD.COM

PLAN SECTION WITH INTERMEDIATE VERTICAL



API Recommends that this note appear with storefront elevations and section view details in your blueprints.

Storefront and related materials provided by American Products, Inc. (API). No substitutions without written consent from store owner/Architect. API (813)925-0144

Customer: API In House

Assembly: 2" x 4-1/2" Thermal Flush Glaze for 1" Glass

Scale: 1/4" = 1"

Drawn By: SW

Date: 12-01-10

Sheet: 2 of 8

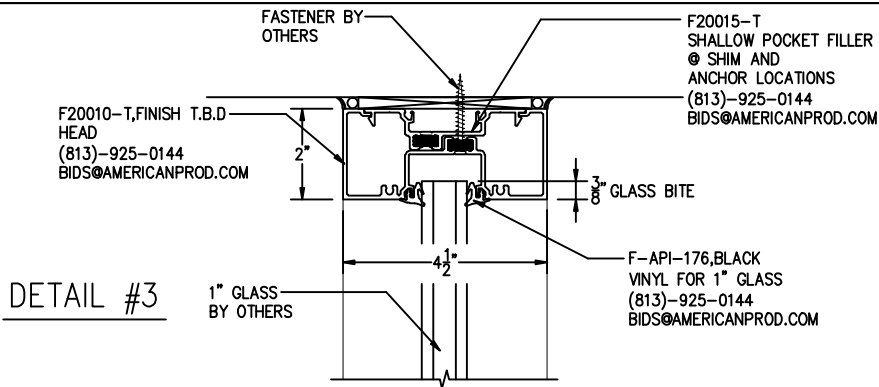


AMERICAN PRODUCTS, INC.

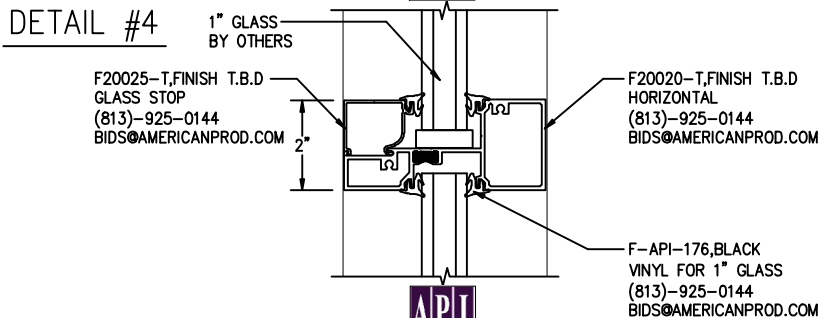
AMERICAN PRODUCTS, INC. (API)
12157 W. LINEBAUGH AVENUE #335
TAMPA, FL 33626
CONTACT: KERRI BEALS
PH (813)925-0144
WWW.AMERICANPROD.COM

VERTICAL SECTION WITH INTERMEDIATE

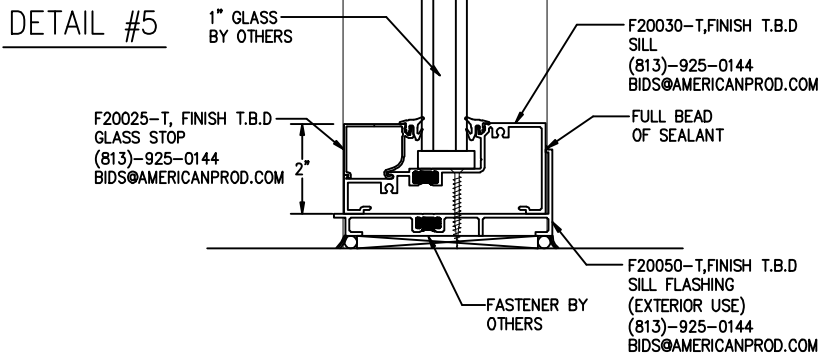
VERTICAL SECTION WITH 4-1/2" BASE



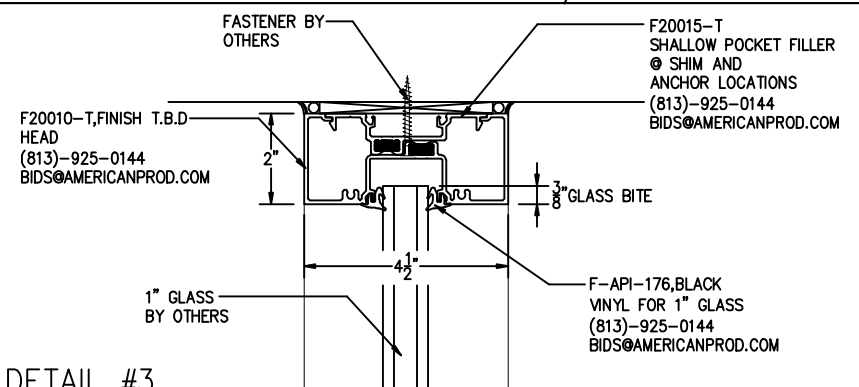
DETAIL #3



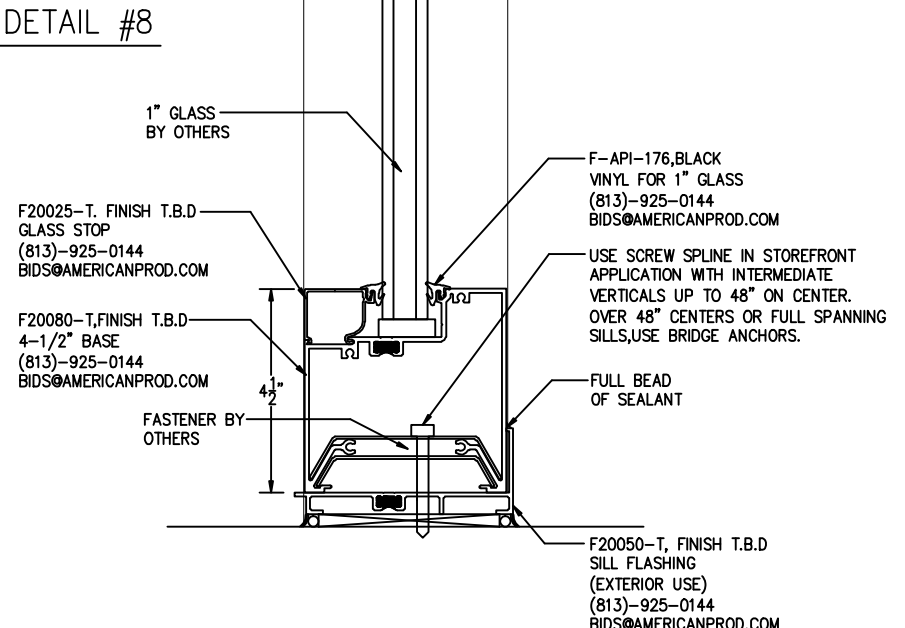
DETAIL #4



DETAIL #5



DETAIL #3



DETAIL #8

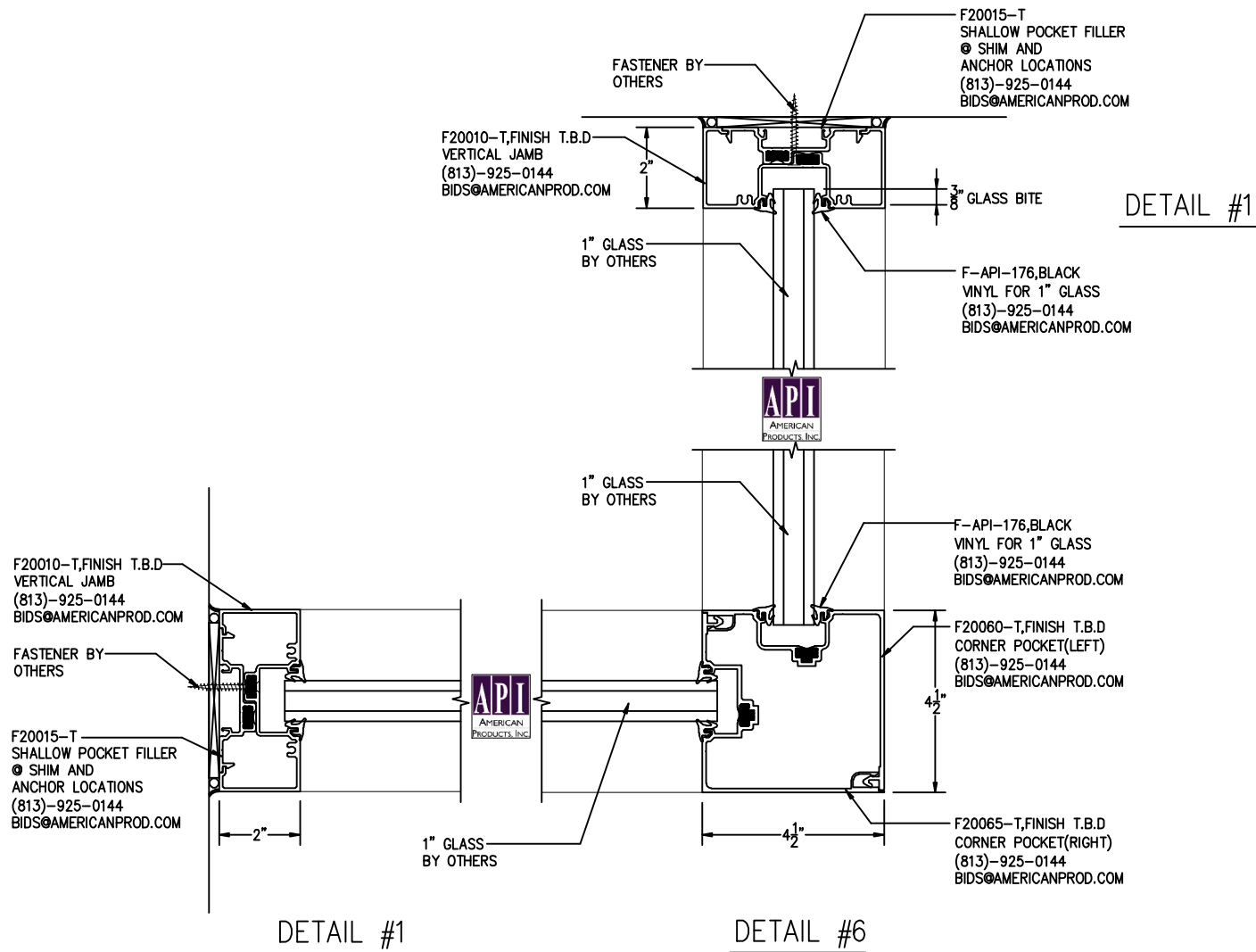
API Recommends that this note appear with storefront elevations and section view details in your blueprints.
Storefront and related materials provided by American Products, Inc. (API). No substitutions without written consent from store owner/Architect. API (813)925-0144

Customer: API In House	
Assembly: 2" x 4-1/2" Thermal Flush Glaze for 1" Glass	
Scale: 1/4" = 1"	
Drawn By: SW	
Date: 12-01-10	Sheet: 3 of 8



AMERICAN PRODUCTS, INC. (API)
12157 W. LINEBAUGH AVENUE #335
TAMPA, FL 33626
CONTACT: KERRI BEALS
PH (813)925-0144
WWW.AMERICANPROD.COM

PLAN SECTION WITH 4-1/2" CORNER ASSEMBLY



API Recommends that this note appear with storefront elevations and section view details in your blueprints.

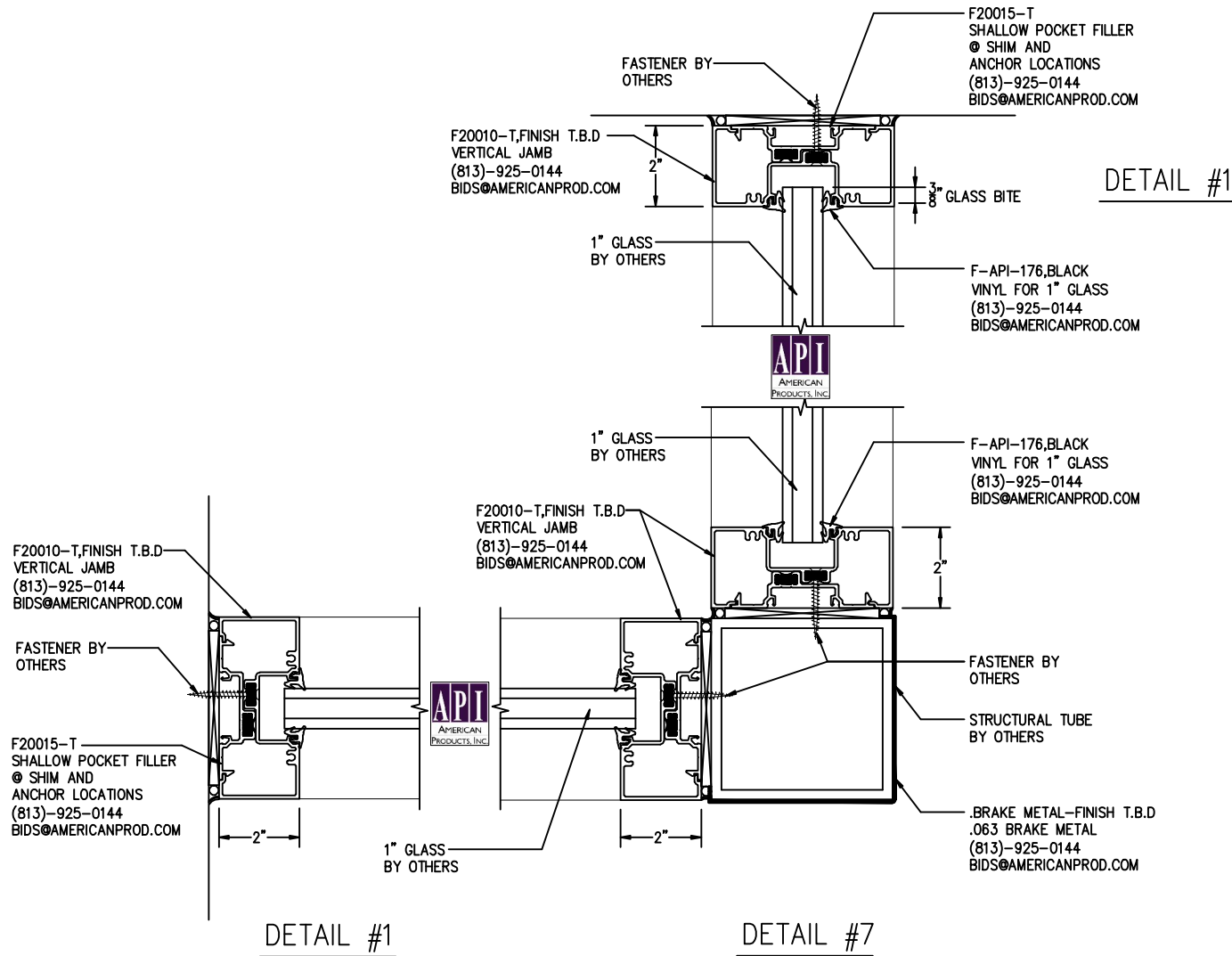
Storefront and related materials provided by American Products, Inc. (API). No substitutions without written consent from store owner/ Architect. API (813)925-0144

Customer: API In House	
Assembly: 2" x 4-1/2" Thermal Flush Glaze for 1" Glass	
Scale: 1/4" = 1"	
Drawn By: SW	
Date: 12-01-10	Sheet: 4 of 8



AMERICAN PRODUCTS, INC. (API)
 12157 W. LINEBAUGH AVENUE #335
 TAMPA, FL 33626
 CONTACT: KERRI BEALS
 PH (813)925-0144
 WWW.AMERICANPROD.COM

PLAN SECTION WITH STRUCTURAL COLUMN BY OTHERS



API Recommends that this note appear with storefront elevations and section view details in your blueprints.

Storefront and related materials provided by American Products, Inc. (API). No substitutions without written consent from store owner/Architect. API (813)925-0144

Customer: API In House

Assembly: 2" x 4-1/2" Thermal Flush Glaze for 1" Glass

Scale: 1/4" = 1"

Drawn By: SW

Date: 12-01-10

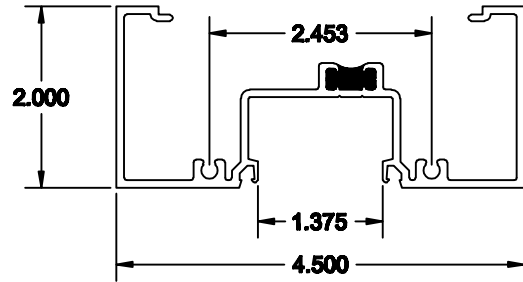
Sheet: 5 of 8



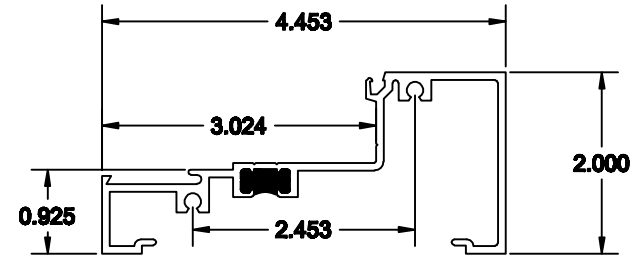
AMERICAN PRODUCTS, INC.

AMERICAN PRODUCTS, INC. (API)
12157 W. LINEBAUGH AVENUE #335
TAMPA, FL 33626
CONTACT: KERRI BEALS
PH (813)925-0144
WWW.AMERICANPROD.COM

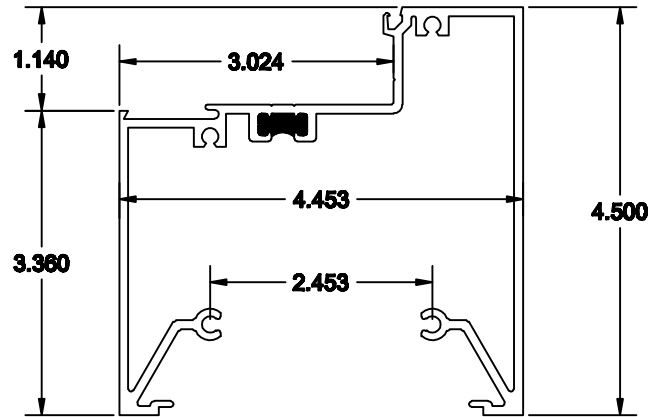
F20010-T HEAD/JAMB



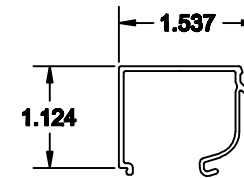
F20030-T SILL



F20080-T 4-1/2" BASE



F20025-T STOP



API Recommends that this note appear with storefront elevations and section view details in your blueprints.

Storefront and related materials provided by American Products, Inc. (API). No substitutions without written consent from store owner/Architect. API (813)925-0144

Customer: API In House

Assembly: 2" x 4-1/2" Thermal Flush Glaze for 1" Glass

Scale: 1/2" = 1"

Drawn By: SW

Date: 12-01-10

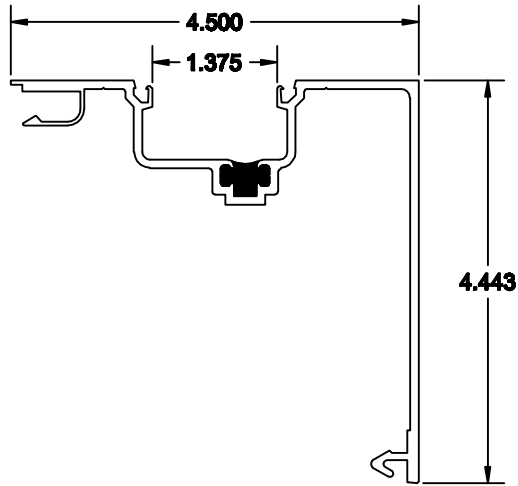
Sheet: 6 of 8



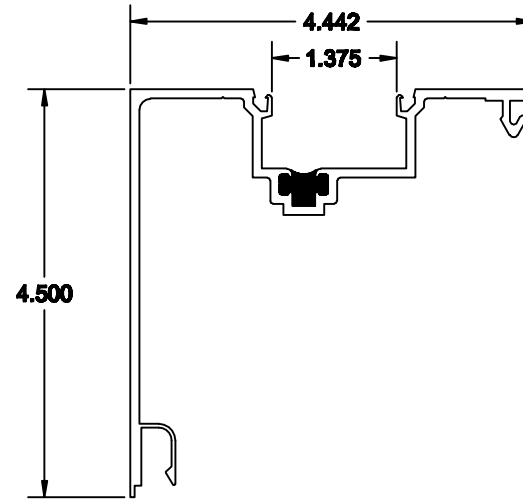
AMERICAN PRODUCTS, INC.

AMERICAN PRODUCTS, INC. (API)
12157 W. LINEBAUGH AVENUE #335
TAMPA, FL 33626
CONTACT: KERRI BEALS
PH (813)925-0144
WWW.AMERICANPROD.COM

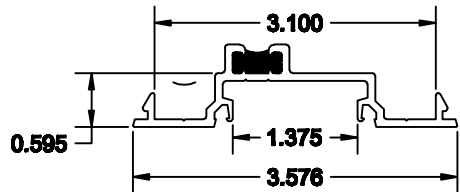
F20060-T CORNER POST (LEFT)



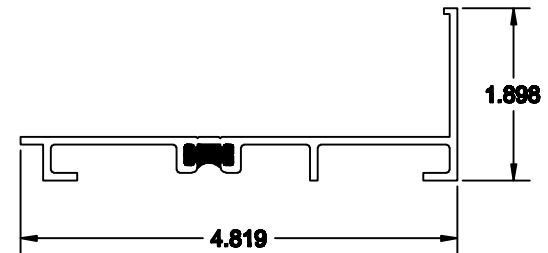
F20065-T CORNER POST (RIGHT)



F20015-T SHALLOW POCKET FILLER



F20050-T SILL FLASHING



API Recommends that this note appear with storefront elevations and section view details in your blueprints.

Storefront and related materials provided by American Products, Inc. (API). No substitutions without written consent from store owner/Architect. API (813)925-0144

Customer: API In House

Assembly: 2" x 4-1/2" Thermal Flush Glaze for 1" Glass

Scale: 1/2" = 1"

Drawn By: SW

Date: 12-01-10

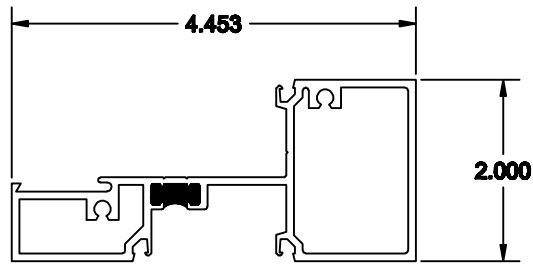
Sheet: 7 of 8



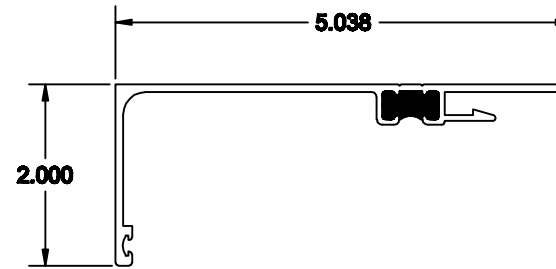
AMERICAN PRODUCTS, INC.

AMERICAN PRODUCTS, INC. (API)
12157 W. LINEBAUGH AVENUE #335
TAMPA, FL 33626
CONTACT: KERRI BEALS
PH (813)925-0144
WWW.AMERICANPROD.COM

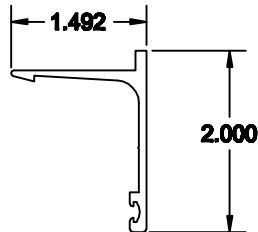
F20020-T HORIZONTAL



F20085-T HEAD RECEPTOR



F20090-RECEPTOR BEAD



API Recommends that this note appear with storefront elevations and section view details in your blueprints.

Storefront and related materials provided by American Products, Inc. (API). No substitutions without written consent from store owner/ Architect. API (813)925-0144

Customer: API In House

Assembly: 2" x 4-1/2" Thermal Flush Glaze for 1" Glass

Scale: 1/2" = 1"

Drawn By: SW

Date: 12-01-10

Sheet: 8 of 8



AMERICAN PRODUCTS, INC.

AMERICAN PRODUCTS, INC. (API)
 12157 W. LINEBAUGH AVENUE #335
 TAMPA, FL 33626
 CONTACT: KERRI BEALS
 PH (813)925-0144
 WWW.AMERICANPROD.COM