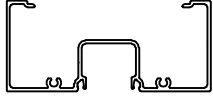
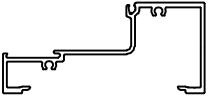
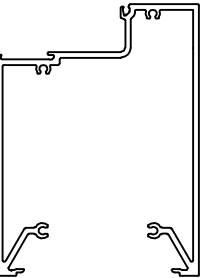

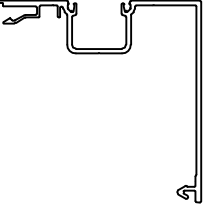
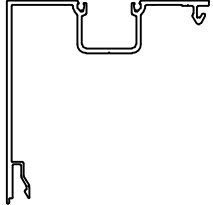
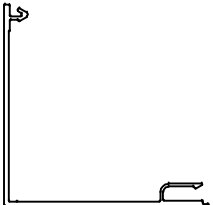
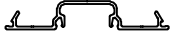

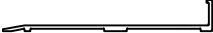



AMERICAN PRODUCTS, INC (API) F2100- SYSTEM FOR 1/2" GLASS (NO ADAPTOR NEEDED FOR 1/2" GLASS)						
LIST OF MATERIALS:						
PART #	DESCRIPTION					
F21210	HEAD/JAMB, 24' S/L					
F21220	HORIZONTAL/SILL, 24' S/L					
F21215	SHALLOW POC. FILLER, 24' S/L					
F21225	GLASS STOP, 24' S/L					
F20045	FLAT FILLER, 24' S/L					
F20045-4	4" FLAT FILLER		F21210-HEAD/JAMB	F21220-HORIZONTAL/SILL	F21280-6" HIGH SIDELITE BASE	F21225-GLASS STOP
F20050	SILL FLASHING, 24" S/L					
F21260	CORNER POST(LEFT), 24' S/L					
F21265	CORNER POST(RIGHT), 24' S/L					
F20075	SLICK CORNER, 24' S/L					
F21280	6" HIGH SIDELITE BASE, 24' S/L					
F50005	1/2" POCKET ADAPTOR, 24' S/L					
AVAILABLE FINISHES:						
FINISH API/US	DESCRIPTION					
1101	US28	CLEAR ANODIZED				
1801	US 313	DARK BRONZE ANODIZED				
CLAD	US32D #4	BRUSHED STAINLESS	F21260 CORNER POST (LEFT)	F21265 CORNER POST (RIGHT)	F21275-SLICK CORNER	F21215-SHALLOW POCKET FILLER
CLAD	US32 #8	POLISHED STAINLESS				
CUSTOM POWDER COAT: CUSTOM COLORS UPON REQUEST						
BASIC ORDERING INFORMATION: (PART #)-(FINISH CODE) EXAMPLE: F20075-1101						
GLASS CALCULATIONS: DLO + 3/4"						
						
			F20045 FLAT FILLER	F20050-SILL FLASHING	F50005-POCKET ADAPTOR	
			NOTE: ADAPTOR TO SLIDE IN PRIOR TO FRAME ASSEMBLY/INSTALL.			
			ALSO AVAILABLE IN 4" PIECES, F20045-4 4" FLAT FILLER.			

API Recommends that this note appear with storefront elevations and section view details in your blueprints.

Storefront and related materials provided by American Products, Inc. (API). No substitutions without written consent from store owner/Architect. API (813)925-0144

Customer: API In House

Assembly: 2" X 4-1/2" Flush Glaze for 1/2" Glass (Interior)

Scale: 1/4" = 1"

Drawn By: SW

Date: 11-22-10

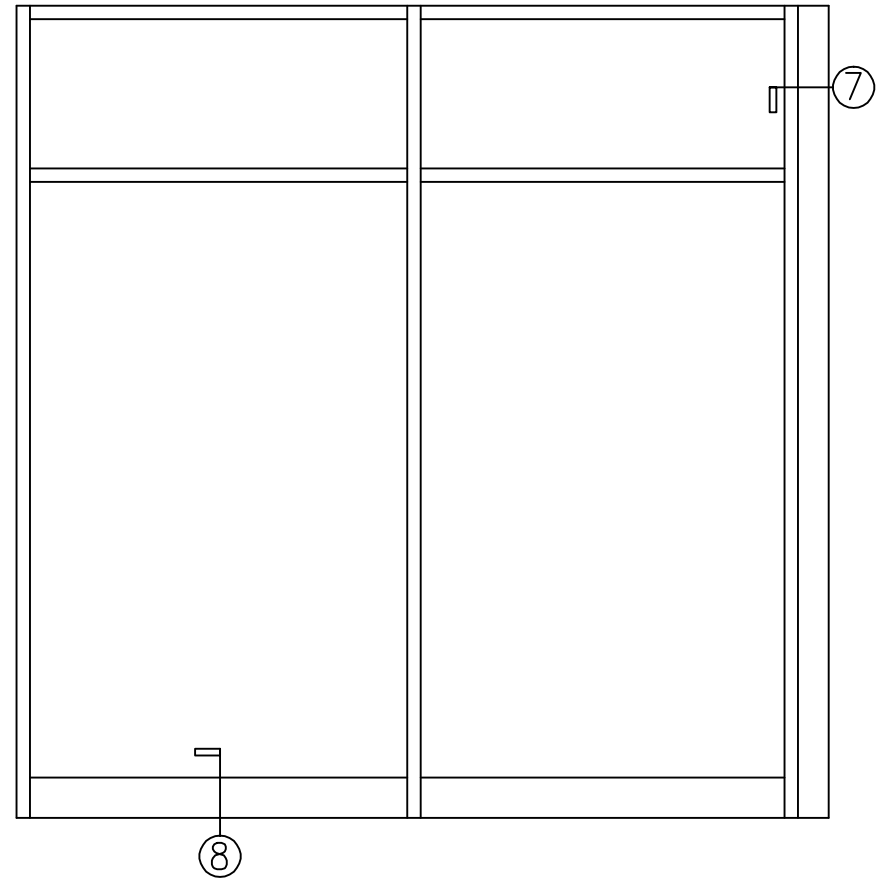
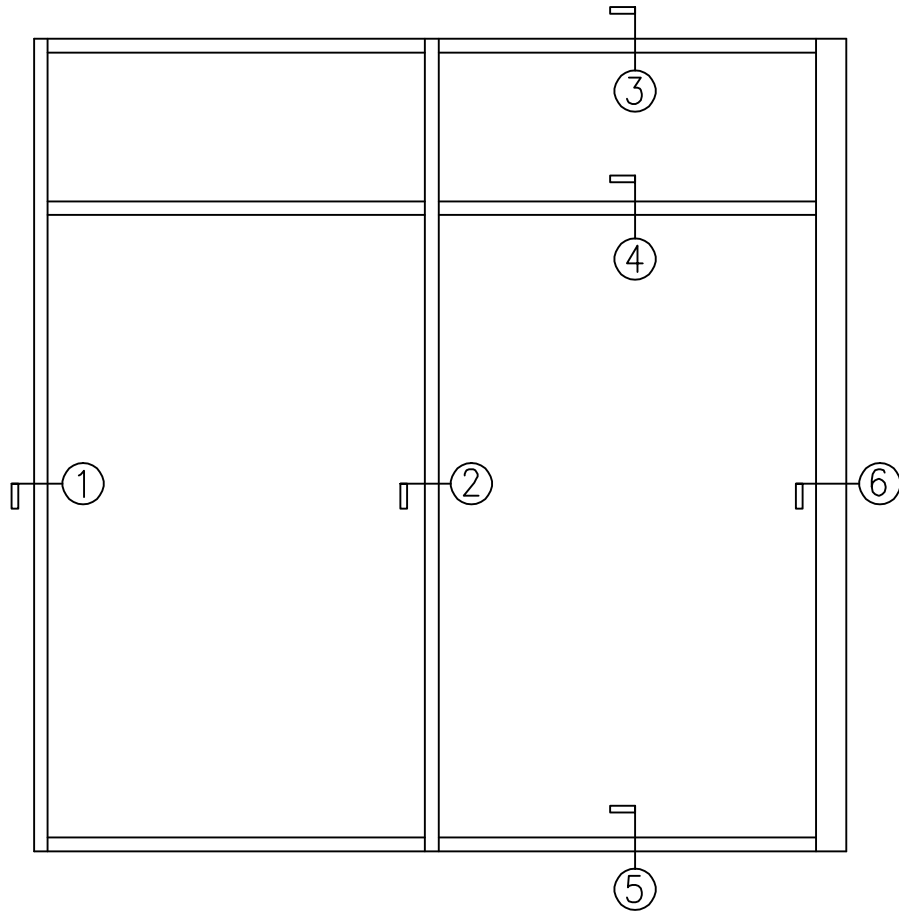
Sheet: Cover



AMERICAN PRODUCTS, INC. (API)  
12157 W. LINEBAUGH AVENUE #335  
TAMPA, FL 33626  
CONTACT: KERRI BEALS  
PH (813)925-0144  
WWW.AMERICANPROD.COM

ELEVATION

ELEVATION



API Recommends that this note appear with storefront elevations and section view details in your blueprints.

Storefront and related materials provided by American Products, Inc. (API). No substitutions without written consent from store owner/Architect. API (813)925-0144

Customer: API In House

Assembly: 2" x 4-1/2" Flush Glaze for 1/2" Glass (Interior)

Scale: N.T.S

Drawn By: SW

Date: 11-22-10

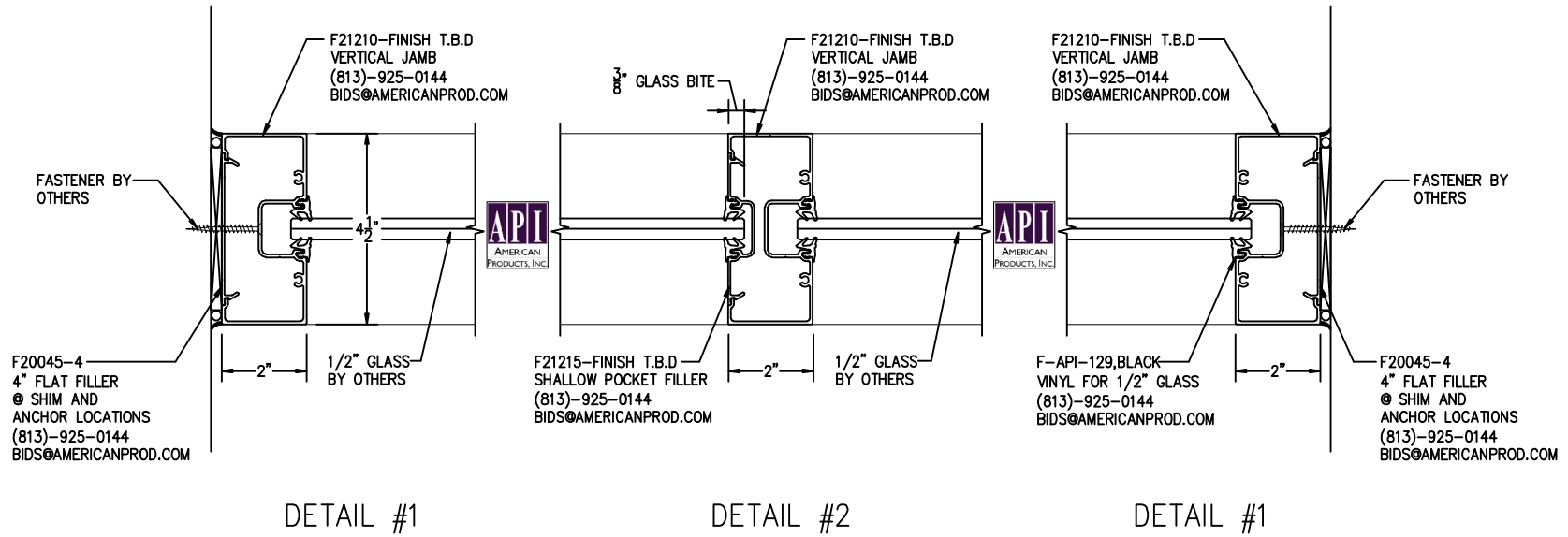
Sheet: 1 of 9



AMERICAN PRODUCTS, INC.

AMERICAN PRODUCTS, INC. (API)  
 12157 W. LINEBAUGH AVENUE #335  
 TAMPA, FL 33626  
 CONTACT: KERRI BEALS  
 PH (813)925-0144  
 WWW.AMERICANPROD.COM

PLAN SECTION WITH INTERMEDIATE VERTICAL



DETAIL #1

DETAIL #2

DETAIL #1

API Recommends that this note appear with storefront elevations and section view details in your blueprints.

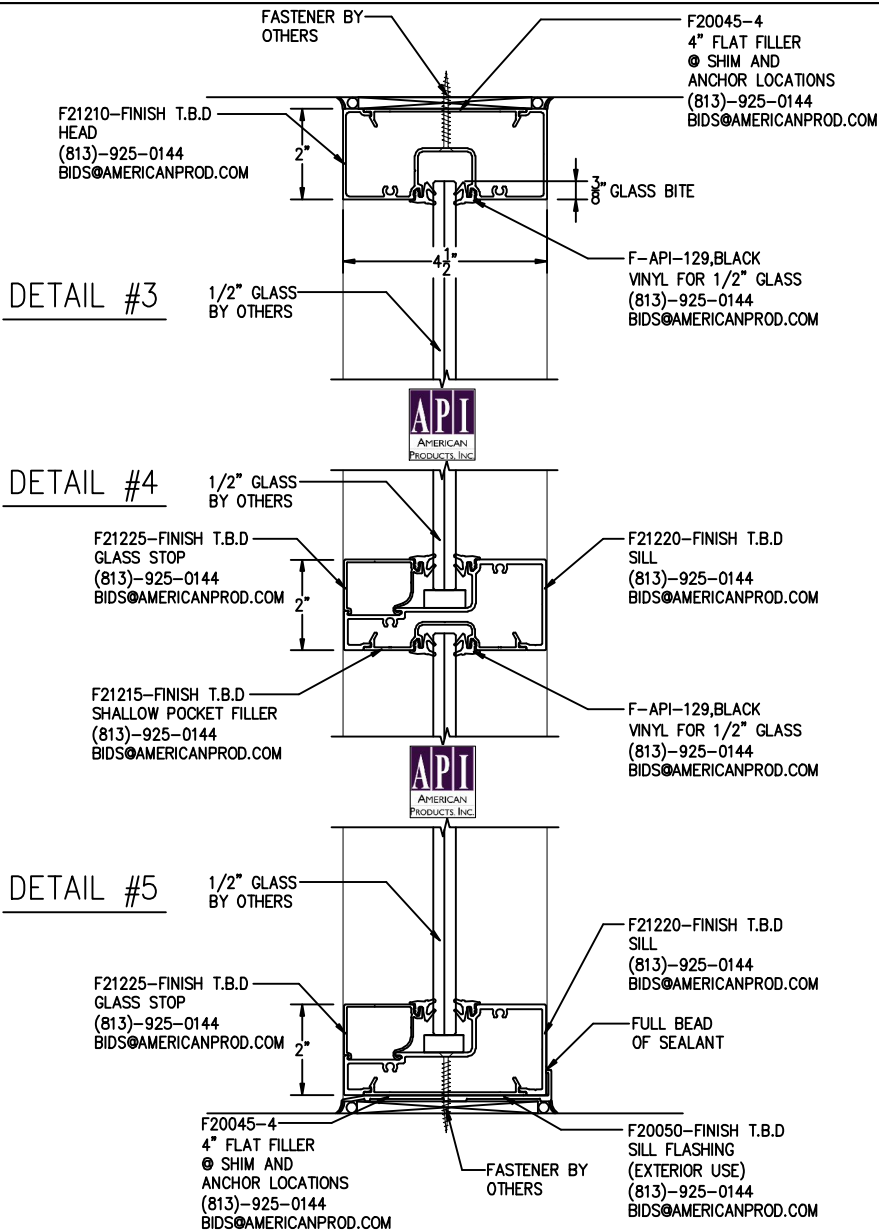
Storefront and related materials provided by American Products, Inc. (API). No substitutions without written consent from store owner/Architect. API (813)925-0144

Customer: API In House	
Assembly: 2" x 4-1/2" Flush Glaze for 1/2" Glass (Interior)	
Scale: 1/4" = 1"	
Drawn By: SW	
Date: 11-22-10	Sheet: 2 of 9

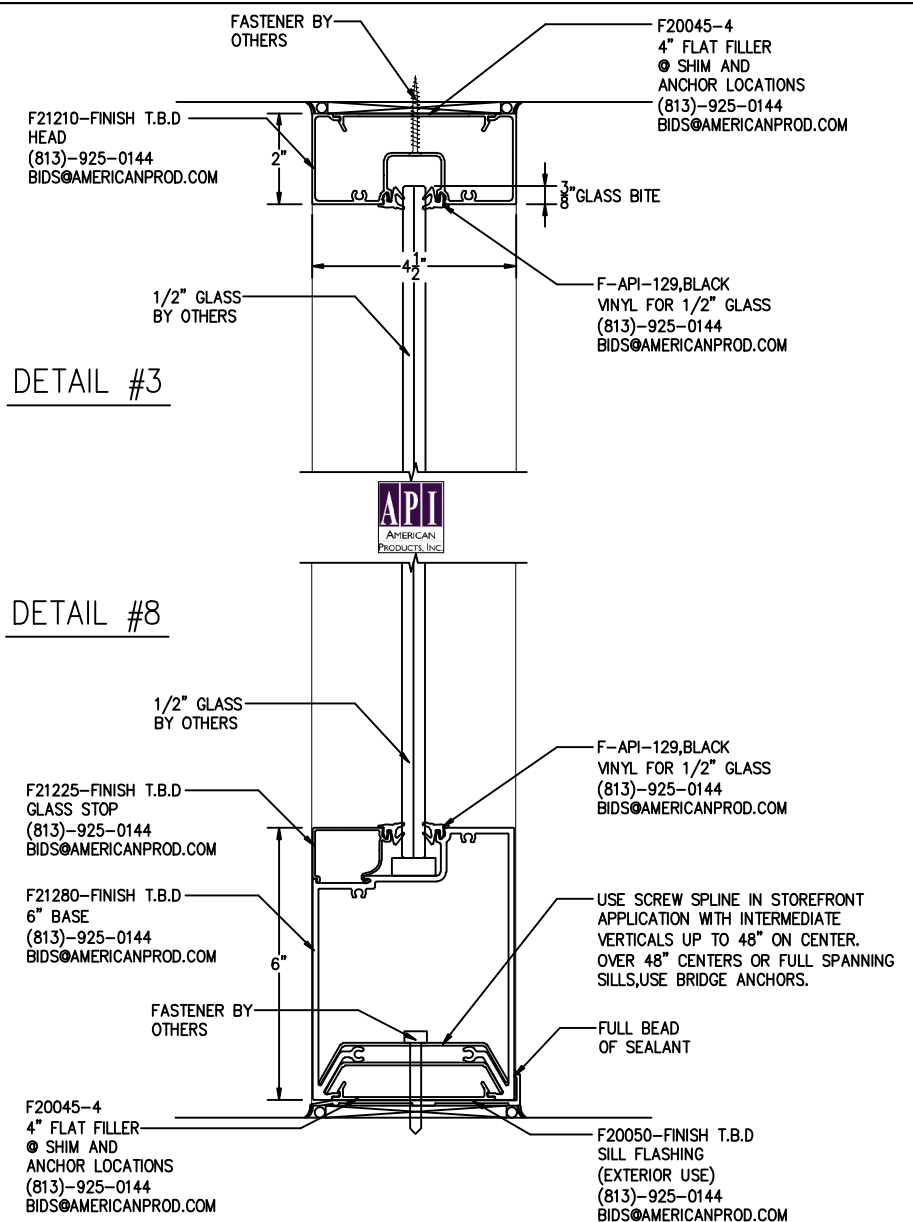


AMERICAN PRODUCTS, INC. (API)  
 12157 W. LINEBAUGH AVENUE #335  
 TAMPA, FL 33626  
 CONTACT: KERRI BEALS  
 PH (813)925-0144  
 WWW.AMERICANPROD.COM

VERTICAL SECTION WITH INTERMEDIATE



VERTICAL SECTION WITH 6" BASE



API Recommends that this note appear with storefront elevations and section view details in your blueprints.

Storefront and related materials provided by American Products, Inc. (API). No substitutions without written consent from store owner/Architect. API (813)925-0144

Customer: API In House

Assembly: 2" x 4-1/2" Flush Glaze for 1/2" Glass (Interior)

Scale: 1/4" = 1"

Drawn By: SW

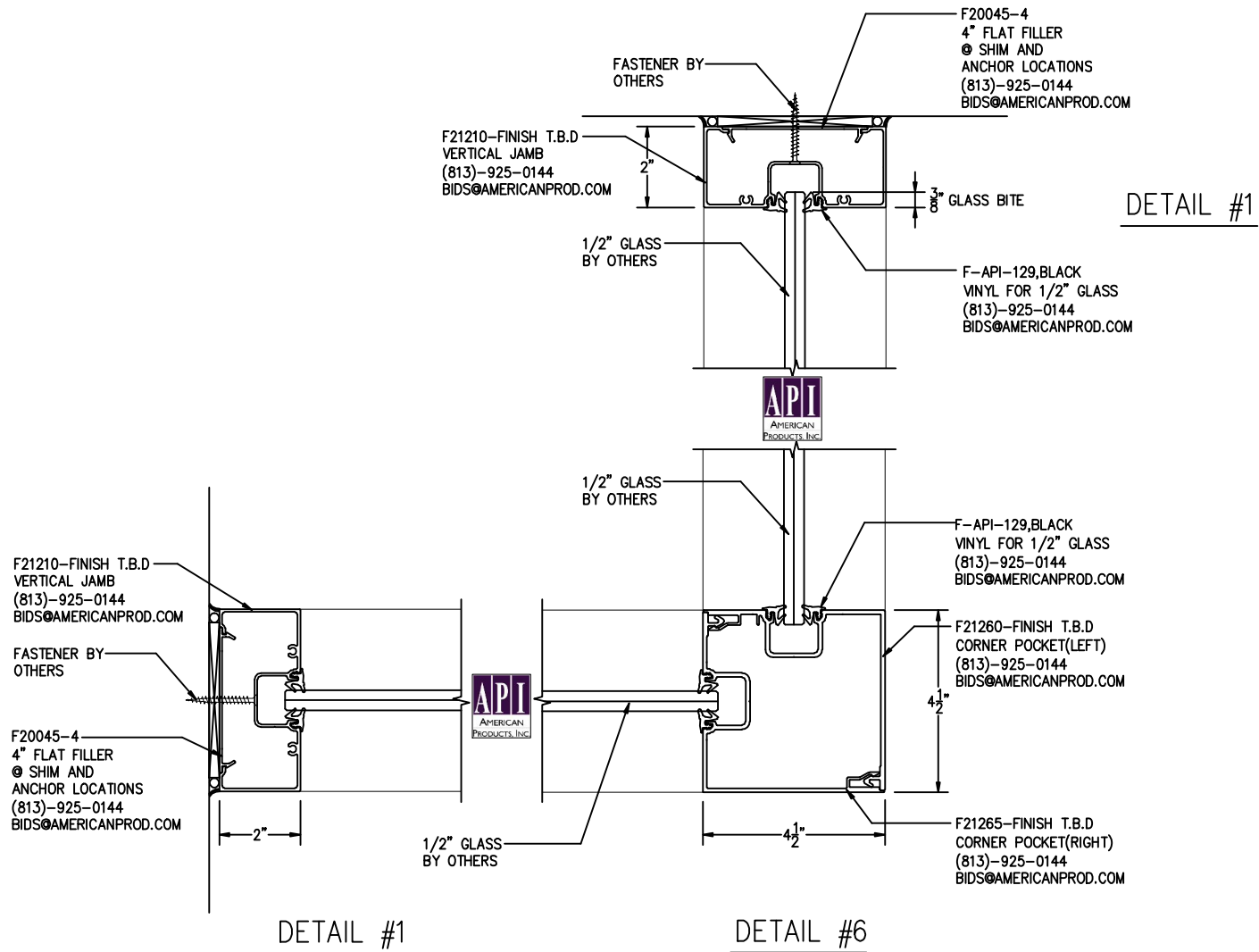
Date: 11-22-10

Sheet: 3 of 9



AMERICAN PRODUCTS, INC. (API)  
12157 W. LINEBAUGH AVENUE #335  
TAMPA, FL 33626  
CONTACT: KERRI BEALS  
PH (813)925-0144  
WWW.AMERICANPROD.COM

PLAN SECTION WITH 4-1/2" CORNER ASSEMBLY



API Recommends that this note appear with storefront elevations and section view details in your blueprints.

Storefront and related materials provided by American Products, Inc. (API). No substitutions without written consent from store owner/ Architect. API (813)925-0144

Customer: API In House

Assembly: 2" x 4-1/2" Flush Glaze for 1/2" Glass (Interior)

Scale: 1/4" = 1"

Drawn By: SW

Date: 11-22-10

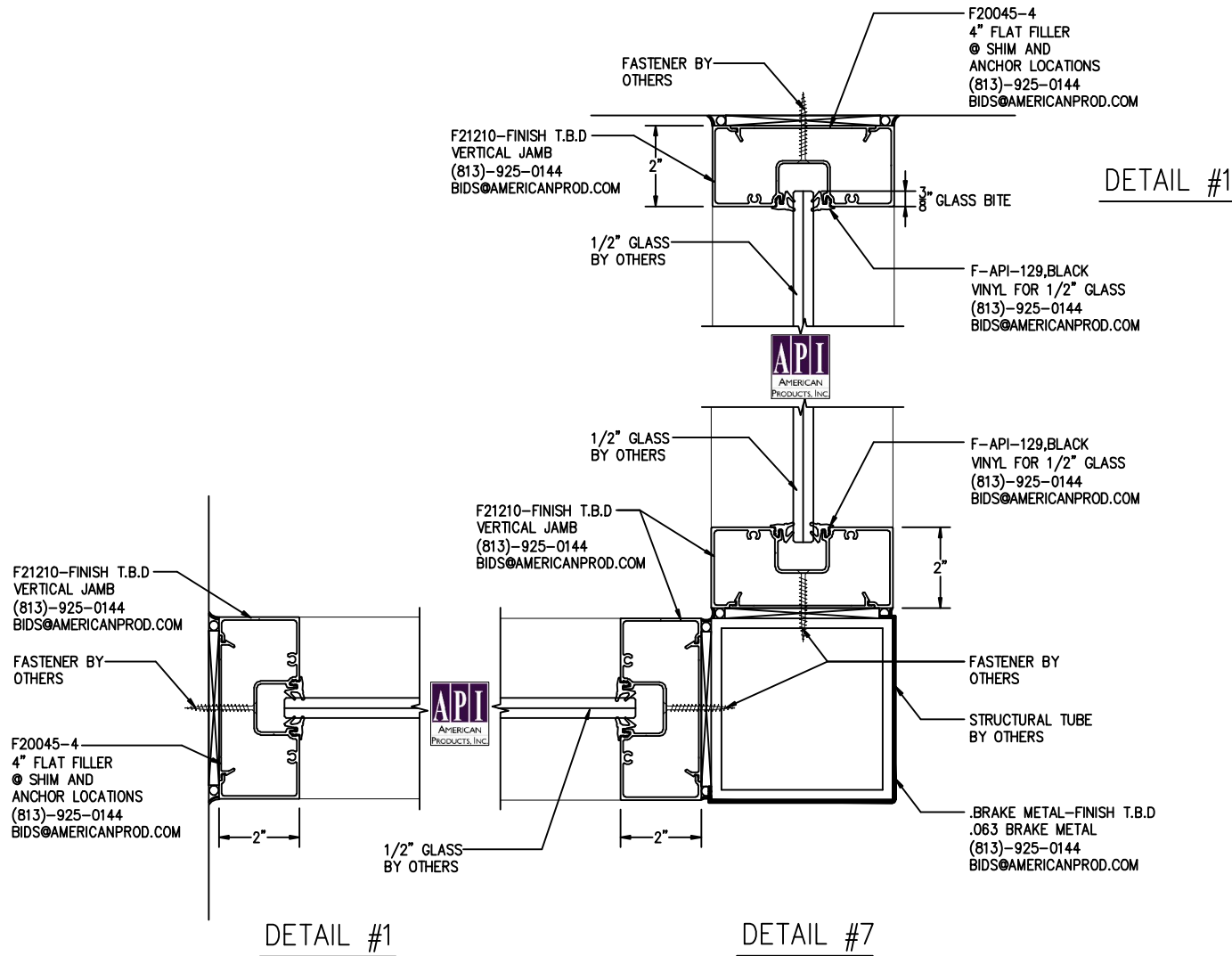
Sheet: 4 of 9



AMERICAN  
PRODUCTS, INC.

AMERICAN PRODUCTS, INC. (API)  
12157 W. LINEBAUGH AVENUE #335  
TAMPA, FL 33626  
CONTACT: KERRI BEALS  
PH (813)925-0144  
WWW.AMERICANPROD.COM

PLAN SECTION WITH STRUCTURAL COLUMN BY OTHERS



API Recommends that this note appear with storefront elevations and section view details in your blueprints.

Storefront and related materials provided by American Products, Inc. (API). No substitutions without written consent from store owner/ Architect. API (813)925-0144

Customer: API In House

Assembly: 2" x 4-1/2" Flush Glaze for 1/2" Glass (Interior)

Scale: 1/4" = 1"

Drawn By: SW

Date: 11-22-10

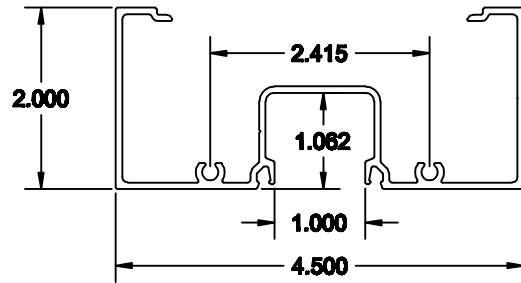
Sheet: 5 of 9



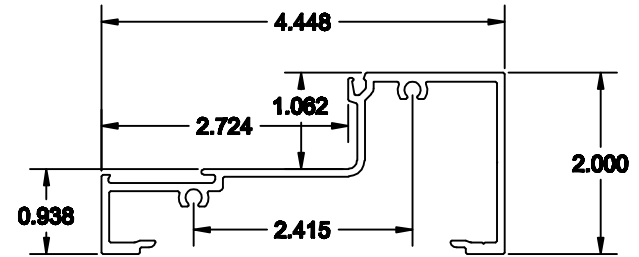
AMERICAN PRODUCTS, INC.

AMERICAN PRODUCTS, INC. (API)  
 12157 W. LINEBAUGH AVENUE #335  
 TAMPA, FL 33626  
 CONTACT: KERRI BEALS  
 PH (813)925-0144  
 WWW.AMERICANPROD.COM

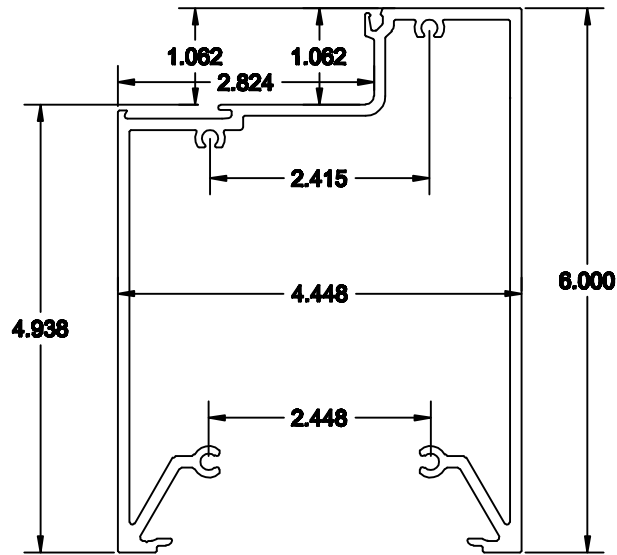
F21210-HEAD/JAMB



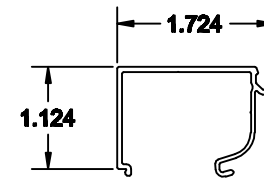
F21220-HORIZONTAL/SILL



F21280-6" BASE



F21225-STOP



API Recommends that this note appear with storefront elevations and section view details in your blueprints.

Storefront and related materials provided by American Products, Inc. (API). No substitutions without written consent from store owner/Architect. API (813)925-0144

Customer: API In House

Assembly: 2" x 4-1/2" Flush Glaze for 1/2" Glass (Interior)

Scale: 1/2" = 1"

Drawn By: SW

Date: 11-22-10

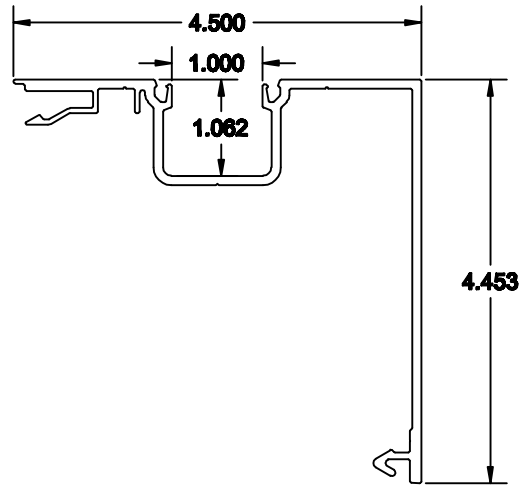
Sheet: 6 of 9



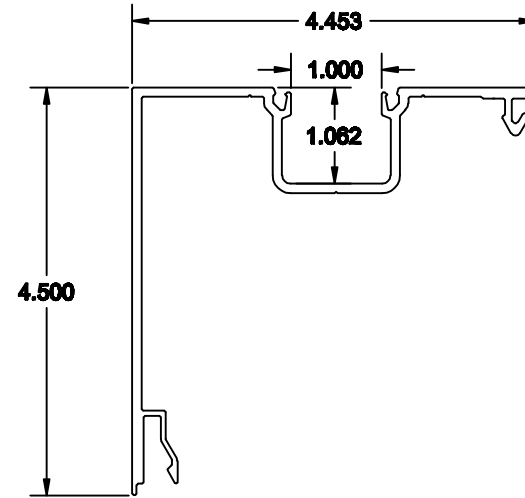
AMERICAN PRODUCTS, INC.

AMERICAN PRODUCTS, INC. (API)  
12157 W. LINEBAUGH AVENUE #335  
TAMPA, FL 33626  
CONTACT: KERRI BEALS  
PH (813)925-0144  
WWW.AMERICANPROD.COM

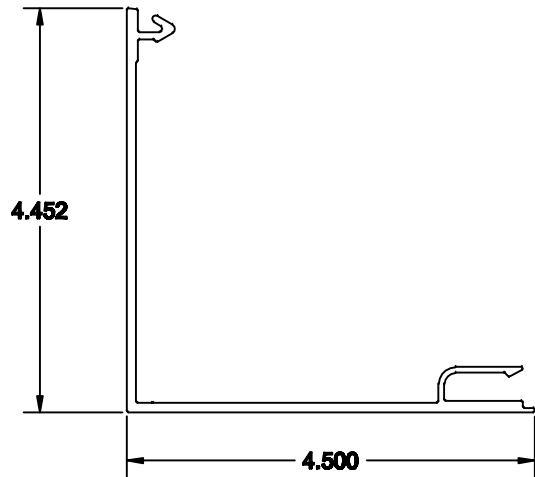
F21260-CORNER POST (LEFT)



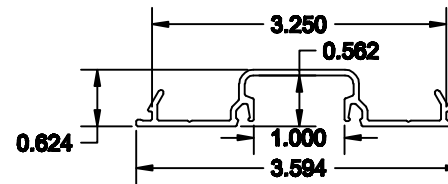
F21265-CORNER POST (RIGHT)



F20075-SLICK CORNER



F21215-SHALLOW POCKET FILLER



API Recommends that this note appear with storefront elevations and section view details in your blueprints.

Storefront and related materials provided by American Products, Inc. (API). No substitutions without written consent from store owner/ Architect. API (813)925-0144

Customer: API In House

Assembly: 2" x 4-1/2" Flush Glaze for 1/2" Glass (Interior)

Scale: 1/2" = 1"

Drawn By: SW

Date: 11-22-10

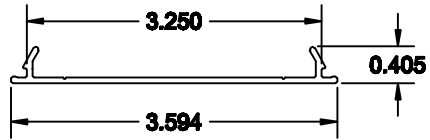
Sheet: 7 of 9



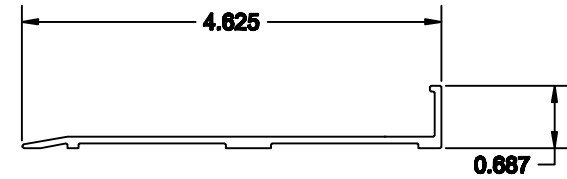
AMERICAN PRODUCTS, INC.

AMERICAN PRODUCTS, INC. (API)  
12157 W. LINEBAUGH AVENUE #335  
TAMPA, FL 33626  
CONTACT: KERRI BEALS  
PH (813)925-0144  
WWW.AMERICANPROD.COM

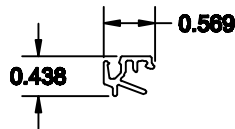
F20045-4 4" FLAT FILLER



F20050-SILL FLASHING (EXTERIOR USE)



F50005-1/2" "SLIDE IN" ADAPTOR



API Recommends that this note appear with storefront elevations and section view details in your blueprints.

Storefront and related materials provided by American Products, Inc. (API). No substitutions without written consent from store owner/Architect. API (813)925-0144

Customer: API In House

Assembly: 2" x 4-1/2" Flush Glaze for 1/2" Glass (Interior)

Scale: 1/2" = 1"

Drawn By: SW

Date: 11-22-10

Sheet: 8 of 9

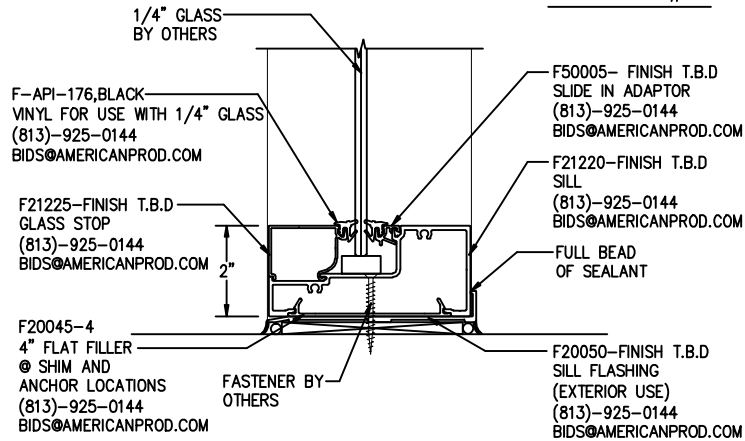


AMERICAN PRODUCTS, INC.

AMERICAN PRODUCTS, INC. (API)  
 12157 W. LINEBAUGH AVENUE #335  
 TAMPA, FL 33626  
 CONTACT: KERRI BEALS  
 PH (813)925-0144  
 WWW.AMERICANPROD.COM

SILL ASSEMBLY FOR 1/4" GLASS

DETAIL #5



NOTE: ADAPTOR TO SLIDE IN PRIOR TO FRAME ASSEMBLY/INSTALL

GASKET CHART 2100 SERIES (1/2" GLAZING)				
	1/4"	3/8"	1/2"	5/8"
F-API-129			X	
F-API-176	X			X
F-API-177		X		
F50005 ADAPTOR	X			

API Recommends that this note appear with storefront elevations and section view details in your blueprints.

Storefront and related materials provided by American Products, Inc. (API). No substitutions without written consent from store owner/Architect. API (813)925-0144

Customer: API In House

Assembly: 2" x 4-1/2" Flush Glaze for 1/2" Glass (Interior)

Scale: 1/4" = 1"

Drawn By: SW

Date: 11-22-10

Sheet: 9 of 9



AMERICAN PRODUCTS, INC.

AMERICAN PRODUCTS, INC. (API)  
12157 W. LINEBAUGH AVENUE #335  
TAMPA, FL 33626  
CONTACT: KERRI BEALS  
PH (813)925-0144  
WWW.AMERICANPROD.COM